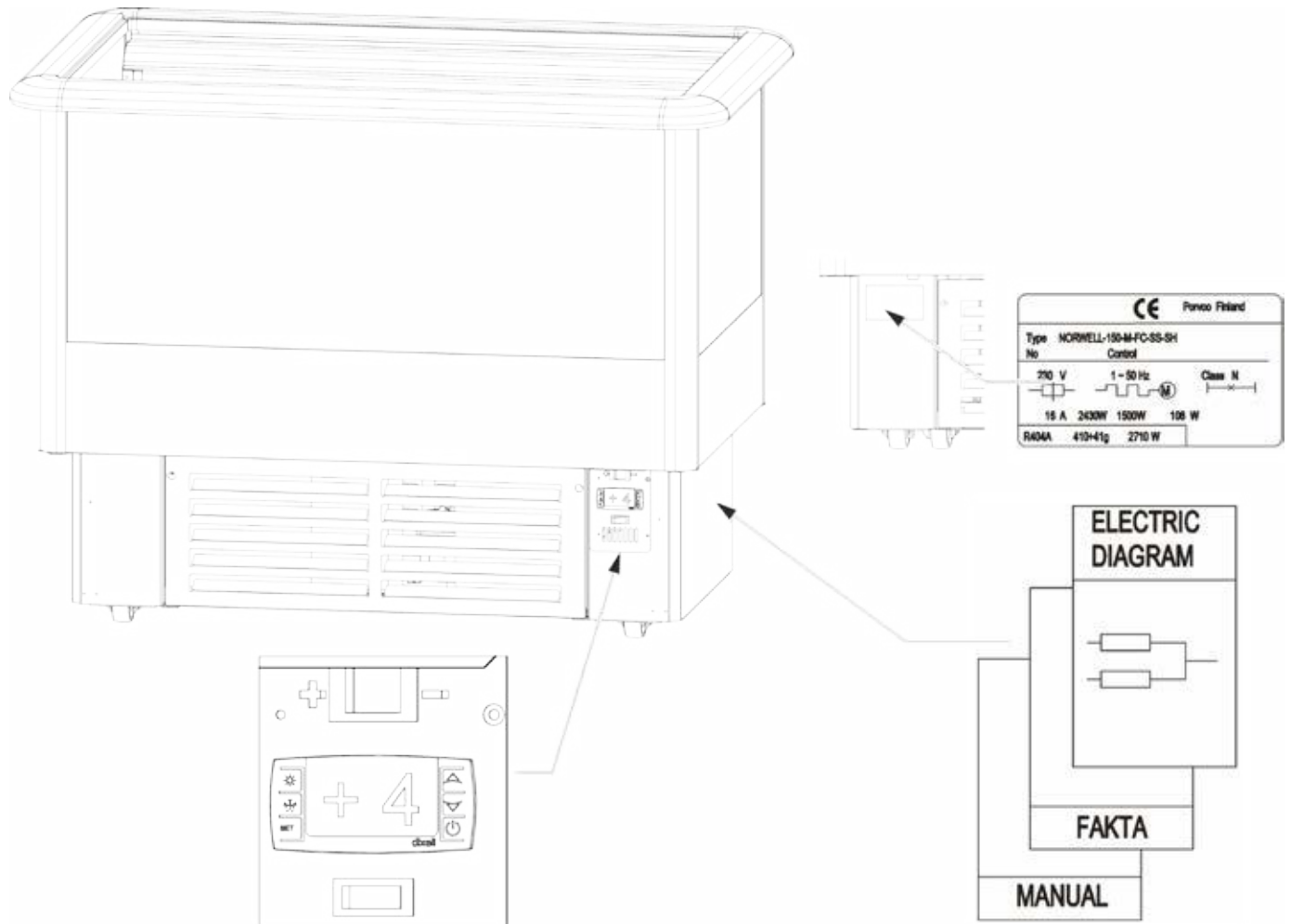


## **TECTOPROMO**

### **IS 1 NORWELL**



# TectoPromo IS 1 Norwell



# ENGLISH

<b>1. Before you start</b> .....	2
<b>1.1. Warranty</b> .....	2
<b>2. TectoPromo IS 1 Norwell</b> .....	2
<b>2.1. Warnings</b> .....	2
<b>2.2. Cabinet types</b> .....	3
<b>2.3. Restrictions</b> .....	3
<b>2.4. Package</b> .....	4
<b>2.5. Transport damage</b> .....	4
<b>2.6. Installing</b> .....	4
<b>2.7. Cleaning before use</b> .....	5
<b>3. Electrical connections</b> .....	5
<b>4. Operation</b> .....	6
<b>4.1. Starting up</b> .....	6
<b>4.2. Loading cabinet</b> .....	6
<b>4.3. Setting operating thermostat</b> .....	6
<b>4.4. Dixell XR40CX control device</b> .....	7
4.4.1. Display messages.....	7
4.4.2. Checking temperature settings.....	8
<b>4.5. Automatic defrosting</b> .....	8
<b>5. Cleaning</b> .....	8
<b>5.1. Cleaning condenser</b> .....	9
<b>6. Interruptions in electricity distribution</b> .....	9
<b>7. Troubleshooting</b> .....	9
<b>8. Servicing and spare parts</b> .....	10
<b>9. Disposal of equipment</b> .....	10

## 1. Before you start

Read these instructions carefully. They explain how to install, place, use and service the cabinet correctly and safely.

Keep these instructions in a safe place and available for other users.

The cabinet must be installed and started up in compliance with the manufacturer's instructions and in conformance with local instructions and regulations.

If a defect occurs in the cabinet or cabinet equipment, or the cabinet does not operate normally, check that this does not create a hazard to people or property. If necessary, disconnect the cabinet and contact the nearest service organisation. All users of the cabinet must be aware of how to use the cabinet correctly and safely.

### 1.1. Warranty

Each cabinet has a one (1) year durability and material warranty for normal ambient conditions (class 3).

Normal ambient conditions must not exceed:

- Relative humidity 60 % RH
- Ambient temperature +25 °C
- Frontal airflow < 0.2 m/s

**NOTE** The warranty does not extend to any breakage of glass, accidental or otherwise.



## 2. TectoPromo IS 1 Norwell

TectoPromo IS 1 Norwell is a display cabinet for frozen food and pre-packed products that maintains the storage temperature required for these products.

### 2.1. Warnings

**WARNING** If the machinery contains propane R290, there is a fire hazard. The propane content is declared on the rating plate and the machinery.



**WARNING** Do not obstruct airflow within the machinery and the cabinet.



**WARNING** Do not hasten defrosting by mechanical means.



**WARNING** Do not damage the refrigeration circuit.



**WARNING** Due to fire hazard, only a qualified technician is allowed to install the system.



**WARNING** No electrical equipment should be placed inside the cabinet unless specifically approved by the manufacturer.



## 2.2. Cabinet types

TectoPromo IS 1 Norwell has two different cabinet types.

- Type C is a chilled display cabinet (+2...+4 °C).
- Type FC can be either freezer or chiller, depending on the temperature settings (-23...-21 °C / +0...+2 °C). FC models are available with lids only. Do not remove lids while the unit is in operation.

The temperature of the cabinet is preset to the required level at the factory.

## 2.3. Restrictions

Using the cabinet in any way other than specified in these instructions is prohibited. Only products that are specified in these instructions or in the brochure for the cabinet may be stored in the cabinet.

The manufacturer accepts no liability for incidents that are caused by using the cabinet in contravention of these instructions, or with disregard for the warnings in these instructions or without following these instructions.

**NOTE** Climbing inside or on the top of the cabinet is prohibited. Standing on any part of the cabinet is prohibited.



**NOTE** Handle cabinets with glass lids and doors with care to avoid finger or other injuries.



**NOTE** Always wear protective gloves when handling H version, surfaces inside the cabinet are hot.



**NOTE** Cabinet is for indoor use only.



**NOTE** Ventilate the premises if refrigerant leakage is suspected.



**NOTE** Storing flammable or hazardous liquids in the cabinet is strictly prohibited.



## 2.4. Package

Transport or move the cabinet to its destination site in the original factory packing, whenever possible. The packaging materials are recyclable.

**NOTE** (This applies to cabinets using R290 as refrigerant): do not turn on the power to the cabinet if you suspect that a refrigerant leakage has occurred during transportation.



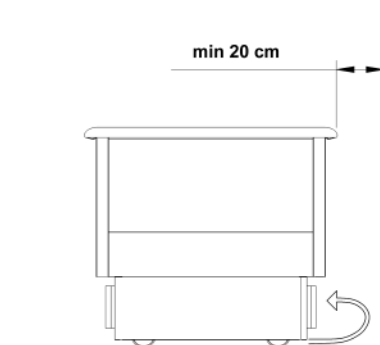
## 2.5. Transport damage

Unpack the cabinet and check for any sign of damage during transport. Report any damage immediately to your insurance company, or to the supplier or manufacturer of the cabinet.

## 2.6. Installing

1. Set the cabinet in its place.

**NOTE** Do not lift the cabinet from the top frame, it may break.

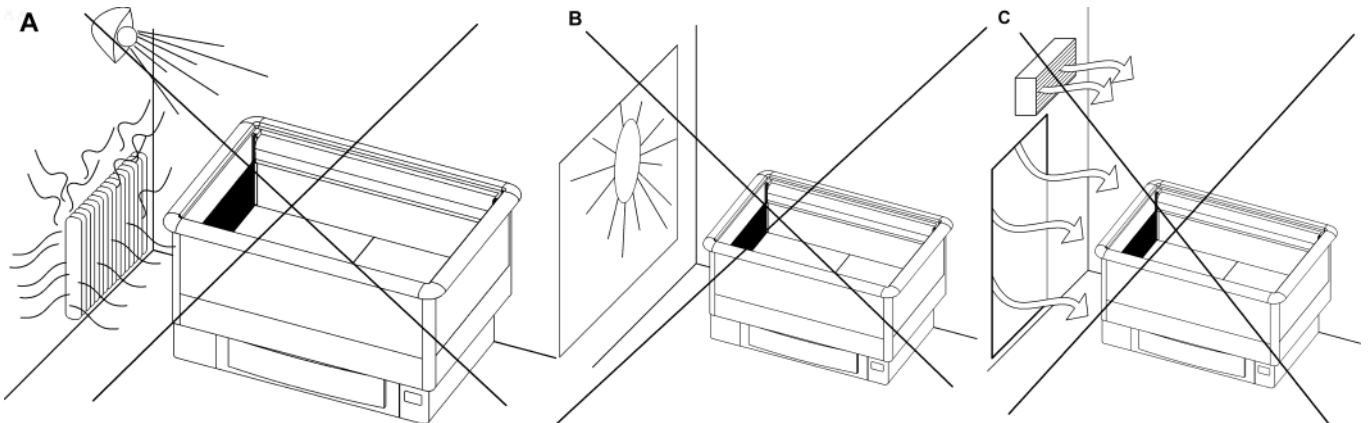


2. Ensure that the airflow to the condenser unit is not obstructed.

Leave an unobstructed air gap of at least 20 cm behind the cabinet.

When installing the cabinet, make sure of the following:

- The area where the cabinet is placed is flat and level.
- No objects are placed on top of the cabinet.
- The cabinet is not placed in the immediate vicinity of a heat source such as a radiator, air blown heater or spotlight. See *figure A*.
- The cabinet is not exposed to direct sunlight. If necessary, use blinds in any nearby window. See *figure B*.
- The air conditioning for the premises does not blow onto the cabinet. See *figure C*.



The correct positioning of the cabinet optimises temperature conditions and performance.

Cabinets with castors / wheels may be anchored to the wall behind them as a safety precaution.

## 2.7. Cleaning before use

1. Clean the storage compartment for foodstuffs with a mild liquid detergent (pH 6-8) before using the cabinet.

Follow the instructions provided with the detergent.

**NOTE** Make sure that all cleaning fluids are classed as non-toxic.



2. Dry the surfaces carefully.

## 3. Electrical connections

**NOTE**



The symbol marked on the cabinet (a lightning bolt inside a triangle) indicates that there are components and wires under the cover containing live voltage. Only personnel qualified to install and service electrical equipment are permitted access to areas that contain live voltage.

Check the voltage and size of the fuse required on the rating plate attached to the cabinet. The supply socket must be earthed and protected by a 16 A slow fuse for TectoPromo IS 1 Norwell 190 and by a 10 A slow fuse for other TectoPromo IS 1 Norwell models. No other appliances may be connected to the same fuse.

**NOTE**

All electrical connections must be carried out by approved and qualified personnel and comply with all IEE and local regulations, failure to do this could result in personal or fatal injury.

## 4. Operation

The cooling is achieved by a fan evaporator system. The evaporator is located at the bottom of the cabinet's tray.

See *figure 1 on the inside cover* for the location of the cabinet's light switch.



### 4.1. Starting up

1. Connect the plug to the supply socket.  
The compressor and fans start operating.
2. Wait for 90 minutes or until the desired temperature is reached.  
The cabinet is now ready to be filled.

### 4.2. Loading cabinet

- Position the products carefully.
- Do not fill the cabinet above the load limits marked in the cabinet.

See *figure 2 on the inside cover*.

Exceeding the load limit will disrupt the designed airflow pattern and cause the temperature of products to rise.

- Do not drop or throw products into the cabinet.

**NOTE**

The cabinet is not designed to cool down products but to maintain them at the temperature at which they are placed in the cabinet. Food products warmer than the specified temperature should not be placed in the cabinet.

### 4.3. Setting operating thermostat

The operating thermostat for the cabinet is located in the terminal box inside the machinery compartment. The lid to the machinery compartment is fixed with a spring. The thermostat is preset to the correct temperature at the factory.

In the FC model the F/C (-/+) switch is located above the controller. See *figure 1 on the inside cover*.

In the FC model the operating mode has to be selected using the -/+ switch.

## 4.4. Dixell XR40CX control device

**NOTE** The type of the control device depends on the cabinet.  
XR40CX is an electronic cabinet controller.

### 4.4.1. Display messages

In normal status, the display shows cabinet temperature.



#### Defrosting signals



Defrosting under way.

#### Probe failure alarm signals



Control probe failure. Contact service.



Evaporator probe failure. Contact service.



Cabinet probe failure. Contact service.



Condenser temperature probe failure. Contact service.

#### Cabinet failure alarm signals (condenser overheat)



The compressors are switched off due to overheating. Check the condenser first and clean it by opening the hatch from the base and vacuuming the condenser, if needed. If the fault persists, contact service.

#### 4.4.2. Checking temperature settings

1. Press the SET key briefly.

Setpoint value appears in the display.

The normal temperature view also reappears if you do not touch any button for five (5) seconds.

#### 4.5. Automatic defrosting

The cabinet is equipped with an automatic defrosting device. The unit controls the operation periods and the defrosting process. Defrosting is performed one (1) or three (3) times a day (electric defrosting). Drain water from defrosting is automatically led to a hot gas evaporation tray or to an electrically heated evaporation sump depending on the cabinet model. The temperature inside the cabinet rises by a few degrees during defrosting.

### 5. Cleaning

The following cleaning procedure must be carried out at least twice a year.

**NOTE** The cabinet must not be cleaned while the fans are running. To disable the fans, disconnect the cabinet from the electricity supply.

**WARNING** Evaporators, condensers and parts made of stainless steel may have sharp edges. Wear protective gloves and work cautiously to avoid cut injuries.



1. Disconnect the cabinet from the mains supply or turn the separate switch to the cleaning position.
2. Empty the cabinet.
3. Allow the cabinet to reach the ambient temperature.
4. Remove any debris.

Do not use picks or sharp tools to remove ice from the evaporator. Damage to the coil may lead to refrigerant leakage.

5. Inspect for drain water and remove it, if there is any.
6. Clean the interior surfaces of the cabinet with a mild liquid detergent (non-toxic, pH 6-8) and dry the surfaces carefully using a clean towel.

7. When cleaning is completed, start up the cabinet.

See section *Starting up*.

Check at regular intervals also that

- the operating noise of the cabinet is normal,
- the evaporator is clean and
- the inlet and outlet grids are not obstructed or dirty.

**NOTE**



Clean the drain sump located in the machinery compartment. Inadequate or infrequent cleaning may shorten the service life of the electric heater / hot gas piping for the drain sump. Detergent residues must be cleaned without delay from the tray.

**NOTE**



In the event of a refrigerant leakage all products displayed in the cabinet must be disposed of and then the cabinet must be cleaned.

## 5.1. Cleaning condenser

Check once a month, or more often if necessary, that the condenser is clean.

Carry out the following procedures when necessary.

1. Vacuum the condenser fins and check that the spaces between the fins are unobstructed.
2. Pull the top edge of the plate outwards and turn the plate downwards, as indicated in the enclosed drawing.

If the controller unit indicates high pressure in the condenser, check the condenser and clean it, if necessary. If the cabinet still doesn't function normally after this procedure, contact service.

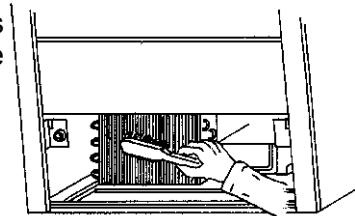


**NOTE**

When the cabinet is disconnected from the mains supply, the sump heater or pump will not operate and drain water or cleaning liquid may fill the evaporation sump.

**NOTE**

The condensing unit is located at the bottom of the cabinet.



## 6. Interruptions in electricity distribution

The cabinet will start up automatically after a power cut or an interruption in the electricity supply. The evaporation drain sump may overflow during a power cut. After a power cut, check that the cabinet operates normally. If necessary, contact your nearest service organisation.

## 7. Troubleshooting

If a defect occurs in the cabinet or cabinet equipment, or the cabinet does not operate normally, check that this does not create a hazard to people or property. If necessary, disconnect the cabinet and contact your nearest service organisation.

Before contacting a service representative, check that

- the plug has not come out of the supply socket and that the mains supply is working.
- the fuse for the cabinet is intact.
- the cabinet is correctly positioned.
- the condenser is not blocked or dirty.
- the products are placed in the cabinet correctly.
- the airflow in the cabinet is not disrupted.
- defrosting is not in progress, see the thermometer.

If the reason for the malfunction cannot be identified, disconnect the electrical supply to the cabinet and contact the service organisation.

Check at regular intervals that the operating noise of the cabinet is normal, the condenser and evaporator are clean, and the air flow through the inlet and outlet grids is not obstructed by debris, packaging waste or other such material. See section 4.4.1. *Display messages*

## 8. Servicing and spare parts

The specifications of the cabinet are marked on the rating plate, see *the inside cover*. Please inform your authorised service organisation of the cabinet type, name, serial number and the Control markings marked on the rating plate. A wiring diagram and a list of technical specifications (FAKTA) that includes a component list are enclosed in a plastic wallet inside the machinery compartment of the cabinet. The service periods of the cabinet are defined in a service contract.

### NOTE



Only authorised fitters may carry out servicing and repair of the machinery and electrical equipment in the cabinet. The evaporator should be cleaned by authorised service personnel.

It is recommended to use Viessmann Refrigeration Systems Oy spare parts.

## 9. Disposal of equipment

After reaching the end of its service life, the cabinet must be disposed of in compliance with local regulations and instructions. Seek expert advice when disposing of substances that are harmful to the environment and when utilising recyclable material.

### WARNING



R290 is highly flammable, this applies to cabinets using R290 propane as refrigerant.

# DEUTSCH

<b>1. Vor der Inbetriebnahme</b> .....	2
<b>1.1. Garantie</b> .....	2
<b>2. TectoPromo IS 1 Norwell</b> .....	2
<b>2.1. Warnhinweise</b> .....	2
<b>2.2. Kühlmöbeltypen</b> .....	3
<b>2.3. Einschränkungen</b> .....	3
<b>2.4. Verpackung</b> .....	4
<b>2.5. Transportschäden</b> .....	4
<b>2.6. Installation</b> .....	4
<b>2.7. Reinigung vor der Inbetriebnahme</b> .....	5
<b>3. Elektrische Anschlüsse</b> .....	5
<b>4. Betrieb</b> .....	6
<b>4.1. Inbetriebnahme</b> .....	6
<b>4.2. Bestückung des Kühlmöbels</b> .....	6
<b>4.3. Einstellung des Betriebsthermostats</b> .....	6
<b>4.4. Steuereinheit Dixell XR40CX</b> .....	7
4.4.1. Displaymitteilungen.....	7
4.4.2. Kontrolle der Temperatureinstellungen.....	8
<b>4.5. Automatisches Abtauen</b> .....	8
<b>5. Reinigung</b> .....	8
<b>5.1. Reinigung des Kondensators</b> .....	9
<b>6. Unterbrechungen der Stromversorgung</b> .....	9
<b>7. Fehlersuche</b> .....	10
<b>8. Wartung und Ersatzteile</b> .....	10
<b>9. Entsorgung der Geräte</b> .....	10

# 1. Vor der Inbetriebnahme

Bitte lesen Sie diese Bedienungsanleitung sorgfältig durch. Hier finden Sie wichtige Informationen über Montage, Aufstellungsort, Gebrauch und Wartung Ihres neuen Kühlmöbels.

Bewahren Sie diese Anleitung an einem sicheren, auch für andere Benutzer zugänglichen Ort auf.

Das Kühlmöbel muss gemäß den Herstelleranweisungen und den örtlichen Vorschriften und Bestimmungen entsprechend aufgestellt und in Betrieb genommen werden.

Überprüfen Sie bei Auftreten eines Defekts am Kühlmöbel oder einem Zubehörteil bzw. bei Betriebsstörungen sofort, ob sich daraus eine Gefährdung für Personen oder Sachwerte ergibt. Trennen Sie ggf. das Kühlmöbel vom Netz und setzen Sie sich mit der nächsten Kundendienststelle in Verbindung. Alle Benutzer des Kühlmöbels müssen sich mit dessen korrektem und sicherem Gebrauch vertraut machen.

## 1.1. Garantie

Auf jedes Kühlmöbel wird ein (1) Jahr Materialgarantie gewährt, sofern das Gerät unter normalen Umgebungsbedingungen (Klasse 3) betrieben wird.

Die folgenden Werte dürfen im Normalbetrieb nicht überschritten werden:

- Relative Luftfeuchtigkeit 60 % RH
- Umgebungstemperatur +25 °C
- Luftstrom vor dem Gerät < 0,2 m/s

**Anmerkung** Glasbruchschäden sind ungeachtet ihrer Ursache von der Garantie ausgeschlossen.



## 2. TectoPromo IS 1 Norwell

TectoPromo IS 1 Norwell ist eine Kühl- und Tiefkühlinsel, welche die für TK-Produkte und andere vorverpackte Lebensmittel erforderliche Lagertemperatur aufrechterhält.

### 2.1. Warnhinweise

**ACHTUNG** Falls das Kühlaggregat Propan R290 enthält, besteht Feuergefahr. Der Propangehalt ist auf dem Typenschild und auf dem Aggregat vermerkt.



**ACHTUNG** Der Luftstrom innerhalb von Aggregat und Kühlmöbel darf nicht behindert werden.



**ACHTUNG** Versuchen Sie nicht, den Abtauvorgang mit mechanischen Mitteln zu beschleunigen.



**ACHTUNG** Schützen Sie den Kältekreislauf vor Beschädigungen.



**ACHTUNG** Aufgrund der Feuergefahr darf das System nur von qualifizierten Technikern installiert werden.



**ACHTUNG** Ohne die ausdrückliche Genehmigung des Herstellers sind elektrische Geräte im Kühlmöbel nicht zulässig.



## 2.2. Kühlmöbeltypen

Die Produktreihe TectoPromo IS 1 Norwell besteht aus zwei unterschiedlichen Modellen.

- Typ C ist eine Kühlinsel (+2 bis +4 °C).
- Typ FC kann je nach Temperatureinstellungen als Tiefkühl- oder als Kühlinsel eingesetzt werden (-23 bis -21 °C bzw. +0 bis +2 °C). FC-Modelle sind nur mit Deckel erhältlich. Der Deckel darf im Betrieb nicht abgenommen werden.

Die Kühltemperatur ist ab Werk auf den erforderlichen Wert eingestellt.

## 2.3. Einschränkungen

Jede Nutzung des Kühlmöbels zu anderen als in dieser Anleitung beschriebenen Zwecken ist untersagt. In dem Gerät dürfen nur die in diesem Dokument oder dem Prospekt genannten Produkte aufbewahrt werden.

Der Hersteller lehnt jegliche Haftung für Unfälle ab, die auf anleitungswidrige Verwendung des Geräts oder eine Missachtung der in dieser Anweisung gegebenen Hinweise bzw. auf einen Verstoß gegen diese zurückzuführen sind.

**Anmerkung** Der Aufenthalt von Personen im Kühlmöbel ist untersagt, ebenso das Sitzen oder Stehen auf dem Gerät oder auf Teilen davon.



**Anmerkung** Beim Öffnen und Schließen von Glastüren bzw. -deckeln ist Vorsicht geboten, um Finger- und anderweitige Verletzungen zu vermeiden.



**Anmerkung** Die Innenflächen der H-Version werden sehr heiß. Schutzhandschuhe verwenden!



**Anmerkung** Das Kühlmöbel ist nur für den Innengebrauch vorgesehen.



**Anmerkung** Bei Verdacht auf Kältemittelleckagen den Raum gründlich lüften.



**Anmerkung** Die Aufbewahrung entflammbarer oder anderweitig gefährlicher Flüssigkeiten in dem Gerät ist strengstens verboten.



## 2.4. Verpackung

Transportieren Sie das Kühlmöbel möglichst in seiner Originalverpackung zum endgültigen Aufstellungsort. Die Verpackungsmaterialien sind recyclingfähig.

**Anmerkung** (Für Versionen, die R290 als Kältemittel verwenden:) Falls Anlass zu der Vermutung besteht, dass beim Transport Kühlmittleckagen aufgetreten sein können, darf das Gerät nicht eingeschaltet werden.



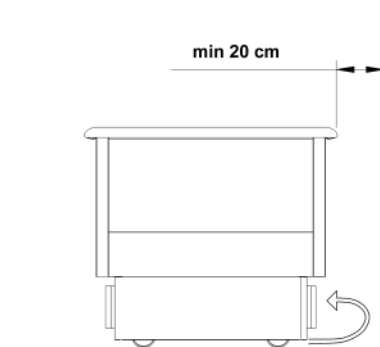
## 2.5. Transportschäden

Packen Sie das Kühlmöbel aus und überprüfen Sie es auf eventuelle Transportschäden. Melden Sie ggf. festgestellte Schäden unverzüglich Ihrer Versicherungsgesellschaft, dem Lieferanten oder dem Hersteller des Möbels.

## 2.6. Installation

1. Stellen Sie das Kühlmöbel auf.

**Anmerkung** Heben Sie das Kühlmöbel nicht am oberen Rahmen an, da dieser abbrechen kann.

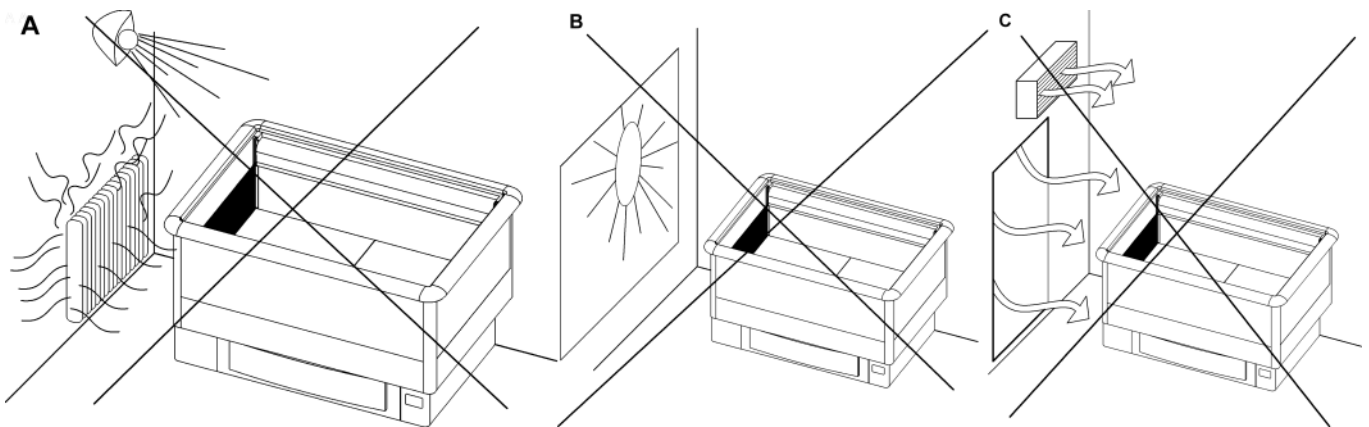


2. Stellen Sie sicher, dass der Luftstrom zum Kondensator nicht blockiert wird.

Lassen Sie hinter dem Kühlmöbel einen Freiraum von mindestens 20 cm.

Beim Aufstellen des Kühlmöbels muss auf Folgendes geachtet werden:

- Der Aufstellbereich ist waagrecht und eben.
- Auf dem Kühlmöbel werden keine Objekte abgestellt.
- Das Kühlmöbel befindet sich nicht in unmittelbarer Nähe einer Heizquelle, wie Heizkörper, Heißluftgebläse oder Scheinwerfer. Siehe *Abb. A*.
- Das Kühlmöbel darf keiner direkten Sonneneinstrahlung ausgesetzt sein. Wenn nötig, verwenden Sie Blenden in den nahe gelegenen Fenstern. Siehe *Abb. B*.
- Die Klimaanlage der Räumlichkeiten darf nicht auf das Kühlmöbel blasen. Siehe *Abb. C*.



Sachgemäße Aufstellung optimiert die Temperaturbedingungen und die Leistung des Geräts.

Mit Rollen ausgestattete Kühlmöbel können durch eine Wandverankerung gesichert werden.

## 2.7. Reinigung vor der Inbetriebnahme

1. Säubern Sie die Innenwände vor der Inbetriebnahme mit einer milden, ungiftigen Reinigungslösung (pH 6-8).

Beachten Sie die Gebrauchshinweise des Reinigungsmittels.

**Anmerkung** Achten Sie darauf, dass alle verwendeten Reinigungsmittel als ungiftig eingestuft sind.



2. Trocknen Sie die Flächen sorgfältig ab.

## 3. Elektrische Anschlüsse

**Anmerkung** Das Stromwarnsymbol (Blitz im Dreieck) weist darauf hin, dass sich unter der Abdeckung spannungsführende Bauteile und Kabel befinden. Der Zugang zu spannungsführenden Bereichen ist nur Fachkräften zum Installieren und Instandsetzen elektrischer Anlagen gestattet.



Die erforderliche Spannungsversorgung und Sicherungsgröße ist auf dem Typenschild des Geräts vermerkt. Die Steckdose muss geerdet und durch eine Sicherung (16 A/träge für TectoPromo IS 1 Norwell 190 und 10 A für andere TectoPromo IS 1 Norwell-Modelle) abgesichert sein. Über die Sicherung dürfen keine weiteren Elektrogeräte abgesichert werden.

**Anmerkung** Alle elektrischen Anschlüsse dürfen nur von dafür zugelassenen Fachkräften unter Beachtung geltender Vorschriften des Elektrotechnikerverbands sowie anwendbarer lokaler Bestimmungen ausgeführt werden. Anderenfalls besteht die Gefahr von Unfällen mit schweren oder tödlichen Verletzungen.



## 4. Betrieb

Die Kühlung wird mittels eines Umluftverdampfers erzielt. Der Verdampfer befindet sich unter dem Innenboden des Kühlmöbels.

Die Position des Lichtschalters ist aus *Abb. 1 auf der Umschlaginnenseite* ersichtlich.



### 4.1. Inbetriebnahme

1. Stecken Sie den Stecker in die Steckdose.  
Kompressor und Gebläse nehmen ihren Betrieb auf.
2. Warten Sie 90 Minuten oder bis zum Erreichen der gewünschten Temperatur.  
Das Kühlmöbel kann nun bestückt werden.

### 4.2. Bestückung des Kühlmöbels

- Ordnen Sie die Produkte sorgfältig ein.
- Überschreiten Sie beim Bestücken des Kühlmöbels nicht das angegebene zulässige Gewicht.  
Siehe *Abb. 2 auf der Innenseite des Umschlags*.  
Dadurch wird der vorgesehene Luftstrom gestört und ein Temperaturanstieg der Produkte verursacht.
- Werfen Sie die Produkte nicht in das Kühlmöbel und lassen Sie sie auch nicht hineinfallen.

**Anmerkung** Das Kühlmöbel ist nicht zum Abkühlen von Produkten ausgelegt, sondern zur Aufrechterhaltung ihrer ursprünglichen Temperatur. Lebensmittel, deren Temperatur über dem angegebenen Maximalwert liegt, dürfen nicht in das Gerät gelegt werden.

### 4.3. Einstellung des Betriebsthermostats

Das Betriebsthermostat des Kühlmöbels befindet sich im Anschlusskasten des Maschinenfachs. Die Klappe zum Maschinenfach ist mit einer Feder gesichert. Das Thermostat ist ab Werk auf die richtige Temperatur eingestellt.

Beim FC-Modell befindet sich der F/C-Schalter (-/+ ) über der Steuereinheit. Siehe *Abb. 1 auf der Innenseite des Umschlags*.

Beim FC-Modell muss der Betriebsmodus mit dem Schalter -/+ ausgewählt werden.

## 4.4. Steuereinheit Dixell XR40CX

**Anmerkung** Die integrierte Steuereinheit ist vom Gerätemodell abhängig. XR40CX ist eine elektronische Steuereinheit.

### 4.4.1. Displaymitteilungen

Im Normalstatus wird auf dem Display die Kühltemperatur angezeigt.



#### Abtausignale



Gerät wird abgetaut.

#### Alarmsignale bei Sensorfehlern



Fehler im Kontrollsensord. Bitte Wartungsdienst kontaktieren.



Fehler im Verdampfersensord. Bitte Wartungsdienst kontaktieren.



Fehler im Fühler für Innenraumtemperatur. Bitte Wartungsdienst kontaktieren.



Fehler im Kondensatortemperatursensord. Bitte Wartungsdienst kontaktieren.

#### Alarmsignale bei Funktionsstörung (Kondensatorüberhitzung)



Die Kompressoren schalten sich wegen Überhitzung ab. Kondensator überprüfen und ggf. säubern (im Sockel befindliche Klappe öffnen und Kondensator mit dem Staubsauger reinigen). Falls der Fehler weiterhin besteht, wenden Sie sich bitte an Ihren Wartungsdienst.

#### 4.4.2. Kontrolle der Temperatureinstellungen

1. Drücken Sie kurz die SET-Taste.

Im Display erscheint der Einstellungswert.

Die normale Temperaturanzeige erscheint auch dann, wenn fünf (5) Sekunden lang keine Taste gedrückt wird.

#### 4.5. Automatisches Abtauen

Das Kühlmöbel ist mit einer automatischen Abtauvorrichtung ausgerüstet. Die Steuereinheit reguliert die Betriebsphasen und den Abtauvorgang. Das Kühlmöbel wird einmal (1) oder dreimal (3) täglich elektrisch abgetaut. Tauwasser wird automatisch zur Heißgas-Verdampfungsschale bzw. zum elektrisch beheizten Verdampfer-Sammelbehälter (modellabhängig) weitergeleitet. Die Temperatur im Kühlmöbel steigt während des Abtauvorgangs um einige Grad.

### 5. Reinigung

Das Gerät muss mindestens zweimal jährlich gereinigt werden. Gehen Sie dabei in folgenden Schritten vor.

**Anmerkung** Die Reinigung darf nur bei abgeschaltetem Gebläse erfolgen. Ziehen Sie den Stecker des Geräts aus der Steckdose, um die Ventilatoren abzuschalten.

**ACHTUNG** Verdampfer, Kondensatoren und Edelstahlteile können scharfe Kanten haben. Tragen Sie Schutzhandschuhe und arbeiten Sie vorsichtig, um Verletzungen zu vermeiden.



1. Ziehen Sie den Netzstecker oder schalten Sie den Trennschalter in die Reinigungsposition.
2. Leeren Sie das Kühlmöbel.
3. Warten Sie, bis sich das Kühlmöbel auf Raumtemperatur erwärmt hat.
4. Entfernen Sie losen Schmutz.

Verwenden Sie keine Meißel oder scharfen Werkzeuge, um das Eis vom Verdampfer zu lösen. Beschädigung der Spule kann zu Kühlmittelleckagen führen.

5. Entfernen Sie eventuell vorhandenes Tauwasser.
6. Reinigen Sie die Innenflächen mit einer milden, für Lebensmittel geeigneten Reinigungslösung (ungiftig, pH 6-8) und wischen Sie sie mit einem sauberen Reinigungstuch sorgfältig trocken.

7. Nehmen Sie das Kühlmöbel nach Abschluss der Reinigung in Betrieb.

Siehe Abschnitt *Inbetriebnahme*.

Überprüfen Sie auch in regelmäßigen Abständen Folgendes:

- Die Betriebsgeräusche des Kühlmöbels sind normal.
- Der Dampf ist sauber.
- Die Ansaug- und Ausblasgitter sind nicht blockiert oder verschmutzt.

**Anmerkung** Auch die im Maschinenbereich befindliche Auffangschale muss regelmäßig gereinigt werden. Unzureichende oder zu seltene Reinigung kann die Lebensdauer der elektrischen Heizung bzw. der Heißgasleitungen der Auffangschale verkürzen. Reinigungsmittelrückstände in der Auffangschale müssen unverzüglich entfernt werden.



**Anmerkung** Falls Kühlmittel austritt, müssen sämtliche im Gerät enthaltenen Produkte entsorgt und das Gerät gründlich gereinigt werden.



## 5.1. Reinigung des Kondensators

Prüfen Sie mindestens einmal monatlich die Sauberkeit des Kondensators.

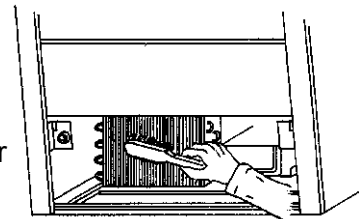
Reinigen Sie ihn bei Bedarf wie folgt:

1. Säubern Sie die Lamellen des Kondensators mit einem Staubsauger und achten Sie darauf, dass die Lamellen nicht blockiert sind.
2. Ziehen Sie die Oberkante des Blechs heraus und drehen Sie das Blech nach unten, wie in der Zeichnung angegeben.

Falls die Steuereinheit einen Druckanstieg meldet, kontrollieren Sie den Kondensator auf Verschmutzungen und säubern Sie ihn bei Bedarf. Falls die Störung dadurch nicht behoben werden kann, wenden Sie sich bitte an Ihren Wartungsdienst.



**Anmerkung** Wenn das Kühlmöbel vom Stromnetz getrennt ist, sind Heizung und Pumpe der Tauwasserschale nicht in Betrieb. Daher kann sich die Schale mit Tau- oder Reinigungswasser füllen.



**Anmerkung** Die Kondensatoreinheit befindet sich am Boden des Kühlmöbels.

## 6. Unterbrechungen der Stromversorgung

Nach einem Stromausfall schaltet sich das Gerät automatisch wieder ein. Während des Stromausfalls kann jedoch die Wasserschale überlaufen. Überprüfen Sie nach einem Stromausfall, ob das Kühlmöbel wieder normal funktioniert. Kontaktieren Sie bei Bedarf den Wartungsdienst.

## 7. Fehlersuche

Überprüfen Sie bei Auftreten eines Defekts am Kühlmöbel oder einem Zubehörteil bzw. bei Betriebsstörungen sofort, ob sich daraus eine Gefährdung für Personen oder Sachwerte ergibt. Falls erforderlich, trennen Sie das Gerät von der Stromversorgung und kontaktieren Sie den Wartungsdienst.

Überprüfen Sie vor Kontaktaufnahme mit dem Kundendienst Folgendes:

- Der Netzstecker steckt in der Steckdose und die Steckdose funktioniert.
- Die Sicherung ist in Ordnung.
- Das Kühlmöbel ist korrekt aufgestellt.
- Der Kondensator ist nicht blockiert oder verschmutzt.
- Das Kühlmöbel ist ordnungsgemäß bestückt.
- Der Luftstrom ist nicht gestört.
- Es liegt kein Abtauvorgang vor (siehe Thermometer).

Falls sich die Fehlerursache nicht feststellen lässt, trennen Sie das Kühlmöbel von der Stromversorgung und kontaktieren Sie den Wartungsdienst.

Überprüfen Sie regelmäßig die Betriebsgeräusche des Kühlmöbels und die Sauberkeit des Verdampfers. Kontrollieren Sie die Ansaug- und Ausblasgitter auf Schmutz und Abfälle. Siehe Abschnitt 4.4.1. *Displaymeldungen*.

## 8. Wartung und Ersatzteile

Die technischen Daten des Geräts sind auf dem Typenschild vermerkt, siehe *innere Umschlagseite*. Bitte informieren Sie den Wartungsdienst über Typ, Namen und Seriennummer des Kühlmöbelmodells sowie über die Prüfdaten auf dem Typenschild. Den Schaltplan und das FAKTA-Formular mit den technischen Daten und den Komponenteninformationen finden Sie in einer Kunststofftasche im Maschinenfach des Geräts. Die Wartungsintervalle des Kühlmöbels sind im Wartungsvertrag festgelegt.

**Anmerkung** Nur zugelassene Monteure dürfen die Wartung und die Reparatur des Aggregats und der elektrischen Ausstattung des Kühlmöbels übernehmen. Dies gilt auch für das mit der Reinigung des Verdampfers betraute Wartungspersonal.



Die Verwendung von Viessmann Refrigeration Systems Oy Originalersatzteilen wird empfohlen.

## 9. Entsorgung der Geräte

Nach der Außerbetriebnahme muss das Kühlmöbel entsprechend den geltenden örtlichen Bestimmungen und Gesetzen entsorgt werden. Die Entsorgung umweltschädlicher Substanzen und recyclingfähiger Materialien muss über Fachbetriebe erfolgen.

**ACHTUNG** Bei Verwendung von R290 (Propan) als Kältemittel ist zu beachten, dass dieses Gas sehr leicht entflammbar ist.



# FRANÇAIS

<b>1. Pour commencer</b> .....	2
<b>1.1. Garantie</b> .....	2
<b>2. TectoPromo IS 1 Norwell</b> .....	2
<b>2.1. Avertissements</b> .....	2
<b>2.2. Types d'armoire</b> .....	3
<b>2.3. Restrictions d'utilisation</b> .....	3
<b>2.4. Emballage</b> .....	4
<b>2.5. Dommages consécutifs au transport</b> .....	4
<b>2.6. Installation</b> .....	4
<b>2.7. Nettoyage avant utilisation</b> .....	5
<b>3. Branchements électriques</b> .....	5
<b>4. Fonctionnement</b> .....	6
<b>4.1. Mise en route</b> .....	6
<b>4.2. Remplissage de l'armoire</b> .....	6
<b>4.3. Réglage du thermostat</b> .....	6
<b>4.4. Régulateur Dixell XR40CX</b> .....	7
4.4.1. Messages de l'écran.....	7
4.4.2. Vérification des réglages de température.....	8
<b>4.5. Dégivrage automatique</b> .....	8
<b>5. Nettoyage</b> .....	8
<b>5.1. Nettoyage du condenseur</b> .....	9
<b>6. Pannes de courant</b> .....	9
<b>7. Dépannage</b> .....	10
<b>8. Entretien et pièces de rechange</b> .....	10
<b>9. Mise au rebut</b> .....	10

# 1. Pour commencer

Lisez attentivement les instructions suivantes. Elles expliquent comment installer, placer, utiliser et entretenir l'armoire correctement et en toute sécurité.

Conservez ces instructions en lieu sûr et à portée de tous les utilisateurs.

L'armoire doit être installée et mise en route conformément aux instructions du fabricant et aux consignes et réglementations locales.

En cas de panne de l'armoire ou de ses équipements, ou si l'armoire ne fonctionne pas normalement, vérifiez que celle-ci ne présente aucun danger pour les personnes et les biens. Si nécessaire, débranchez l'armoire et contactez la société de maintenance la plus proche. Tous les utilisateurs de l'armoire doivent savoir comment l'utiliser correctement et en toute sécurité.

## 1.1. Garantie

Chaque armoire est accompagnée d'une garantie de un (1) an sur sa durée de vie et ses matériaux, pour des conditions ambiantes normales (classe 3).

Les conditions ambiantes normales ne doivent pas dépasser les valeurs suivantes :

- Humidité relative : 60 %
- Température ambiante : +25 °C
- Débit d'air frontal : < 0,2 m/s

**Remarque** La garantie ne couvre pas les bris de vitres, accidentels ou autres.



## 2. TectoPromo IS 1 Norwell

TectoPromo IS 1 Norwell est une vitrine qui maintient les aliments congelés et produits pré-emballés à la température requise pour leur conservation.

### 2.1. Avertissements

**ATTENTION** Les moteurs contenant du propane R290 présentent un risque d'incendie. La teneur en propane est indiquée sur la plaque signalétique et sur le moteur.



**ATTENTION** Assurez une circulation d'air suffisante à l'intérieur du moteur et de l'armoire.



**ATTENTION** N'accélérez pas le dégivrage par des moyens mécaniques.



**ATTENTION** Veillez à ne pas endommager le circuit de refroidissement.



**ATTENTION** En raison du risque d'incendie, seul un technicien qualifié est autorisé à installer l'équipement.



**ATTENTION** Aucun appareil électrique ne doit être placé à l'intérieur de l'armoire, sauf si l'appareil a été spécifiquement approuvé par le fabricant.



## 2.2. Types d'armoire

Il existe deux types d'armoire TectoPromo IS 1 Norwell.

- L'armoire de type C est un présentoir réfrigéré (+2...+4 °C).
- L'armoire de type FC peut être un congélateur ou un réfrigérateur selon les réglages de température (-23...-21 °C/+0...+2 °C). Les modèles FC sont disponibles uniquement avec des couvercles. Ne retirez pas les couvercles lorsque l'appareil est en fonctionnement.

La température de l'armoire est préréglée en usine.

## 2.3. Restrictions d'utilisation

Il est interdit d'utiliser l'armoire à d'autres fins que celles spécifiées dans ces instructions. L'armoire doit stocker uniquement les produits spécifiés dans ces instructions ou dans sa brochure.

Le fabricant ne saura être tenu responsable des accidents causés par une utilisation de l'armoire en violation des présentes instructions ou bien dans le non-respect des avertissements présentés dans ces instructions.

**Remarque** Il est interdit de pénétrer à l'intérieur de l'armoire ou de monter dessus. Il est interdit de se tenir debout sur des éléments de l'armoire.



**Remarque** Manipulez les armoires équipées de couvercles et portes vitrés avec soin pour éviter de vous blesser les doigts ou autre.



**Remarque** Portez toujours des gants de protection pour manipuler la version H ; les surfaces internes de l'armoire sont chaudes.



**Remarque** L'armoire ne doit être utilisée qu'en intérieur.



**Remarque** Aérez les lieux si une fuite de réfrigérant est détectée.



**Remarque** Il est strictement interdit de stocker des liquides inflammables ou dangereux dans l'armoire.



## 2.4. Emballage

Transportez ou déplacez l'armoire vers son emplacement final dans son emballage d'origine, si possible. Les matériaux d'emballage sont recyclables.

**Remarque** (Concerne uniquement les armoires contenant du R290 comme réfrigérant): ne mettez pas l'armoire en route si vous pensez qu'une fuite de réfrigérant s'est produite pendant le transport.



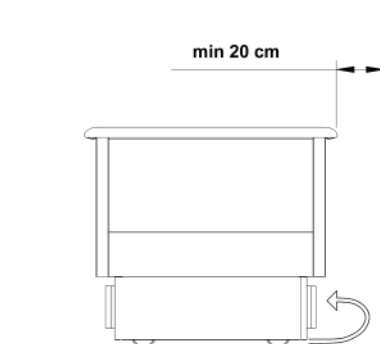
## 2.5. Dommages consécutifs au transport

Désemballez l'armoire et vérifiez qu'elle n'a subi aucun dommage pendant le transport. Signalez immédiatement tout dommage à votre compagnie d'assurance, ou bien au fournisseur ou au fabricant de l'armoire.

## 2.6. Installation

1. Placez l'armoire en son emplacement.

**Remarque** Ne soulevez pas l'armoire par le haut, car elle pourrait casser.

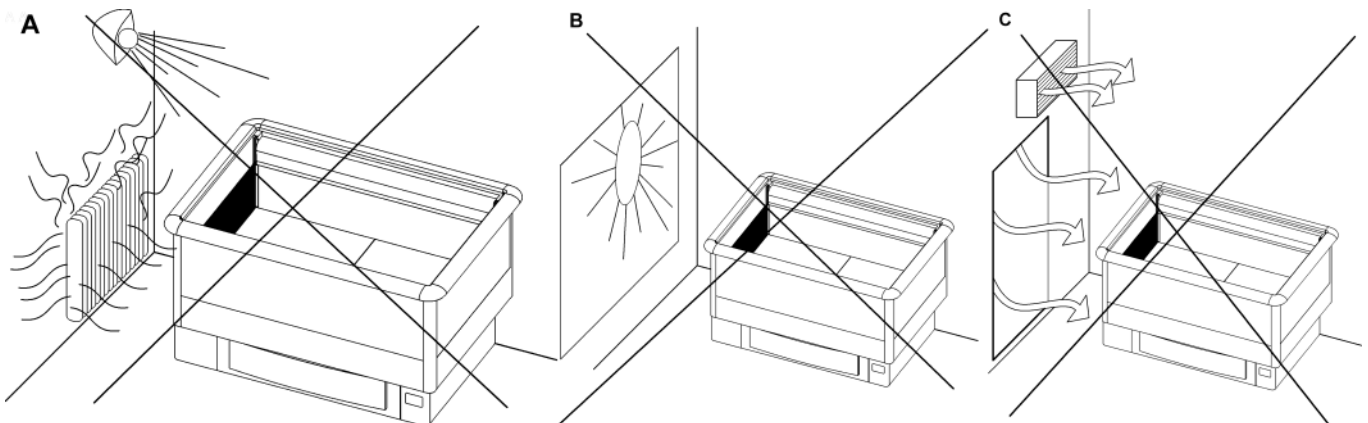


## 2. Vérifiez que l'air circule librement vers le condenseur.

Laissez un espace d'aération d'au moins 20 cm derrière l'armoire.

Lorsque vous installez l'armoire, vérifiez les points suivants :

- Le futur emplacement de l'armoire est plat et horizontal.
- Aucun objet n'est posé sur l'armoire.
- L'armoire n'est pas placée à proximité d'une source de chaleur telle qu'un radiateur, un ventilateur à air chaud ou un spot. Voir *figure A*.
- L'armoire n'est pas exposée au rayonnement direct du soleil. Si nécessaire, posez des stores sur les fenêtres attenantes. Voir *figure B*.
- La climatisation de la pièce n'est pas dirigée vers l'armoire. Voir *figure C*.



Une armoire correctement installée offre des conditions de température et des performances optimales.

Par mesure de sécurité, les armoires munies de roulettes peuvent être fixées au mur situé derrière.

## 2.7. Nettoyage avant utilisation

1. Nettoyez le compartiment de stockage des aliments à l'aide d'un détergent liquide doux (pH 6-8).

Suivez les instructions fournies avec le détergent.

**Remarque** Veillez à utiliser des agents nettoyants non toxiques.



2. Séchez soigneusement les surfaces.

## 3. Branchements électriques

**Remarque**



Le symbole apposé sur l'armoire (un éclair dans un triangle) indique que, sous le capot, se trouvent des composants et des fils sous tension. Seul le personnel qualifié pour l'installation et l'entretien d'équipements électriques est autorisé à accéder à ces zones sous tension.

Vérifiez la tension et la taille du fusible requis sur la plaque signalétique fixée à l'armoire. La prise d'alimentation doit être mise à la terre et protégée par un fusible lent de 16 A, pour le TectoPromo IS 1 Norwell 190, et par un fusible lent de 10 A, pour les autres modèles TectoPromo IS 1 Norwell. Aucun autre appareil ne doit être connecté au même fusible.

**Remarque**

Tous les branchements électriques doivent être effectués par un personnel agréé et qualifié, conformément aux réglementations locales et aux normes IEE en vigueur. Le non-respect de ces consignes peut entraîner des blessures, voire la mort.

## 4. Fonctionnement

La réfrigération est obtenue à l'aide d'un évaporateur-ventilateur. L'évaporateur se trouve au bas du bac de l'armoire.

Reportez-vous à la *Figure 1*, à l'intérieur de la page de couverture, pour connaître l'emplacement de l'interrupteur d'éclairage.



### 4.1. Mise en route

1. Raccordez la prise de l'armoire à la prise d'alimentation.  
Le compresseur et les ventilateurs démarrent.
2. Attendez 90 minutes ou jusqu'à ce que la température désirée soit atteinte.  
L'armoire est maintenant prête à être remplie.

### 4.2. Remplissage de l'armoire

- Placez soigneusement les produits.
- Ne dépassez pas la charge limite indiquée dans l'armoire.

Voir *figure 2 de la couverture intérieure*.

Le non-respect de cette consigne entraînerait une perturbation du flux d'air et une hausse de la température des produits.

- Ne jetez pas les produits à l'intérieur de l'armoire.

**Remarque** L'armoire n'est pas conçue pour refroidir les produits mais pour les maintenir à la température à laquelle ils doivent être conservés. Les produits alimentaires dont la température est supérieure à la température spécifiée ne doivent pas être placés dans l'armoire.

### 4.3. Réglage du thermostat

Le thermostat de l'armoire se trouve dans la boîte à bornes à l'intérieur du compartiment moteur. Un ressort est monté sur le couvercle du compartiment moteur. Le thermostat est réglé par défaut sur la bonne température.

Sur le modèle FC, le bouton F/C (-/+ ) se trouve au-dessus du régulateur. Reportez-vous à la *Figure 1*, à l'intérieur de la page de couverture.

Sur le modèle FC, le mode opératoire doit être sélectionné à l'aide du bouton +/-.

## 4.4. Régulateur Dixell XR40CX

**Remarque** Le type de régulateur dépend de l'armoire.

Le XR40CX est un régulateur d'armoire électronique.

### 4.4.1. Messages de l'écran.

En fonctionnement normal, l'écran indique la température de l'armoire.



#### Messages liés au dégivrage



Dégivrage en cours.

#### Messages liés aux problèmes de sonde



Panne de la sonde de réglage. Contactez la maintenance.



Panne de la sonde de l'évaporateur. Contactez la maintenance.



Panne de la sonde de l'armoire. Contactez la maintenance.



Panne de la sonde de température du condenseur. Contactez la maintenance.

#### Messages liés aux problèmes d'armoire (surchauffe du condenseur)



Les compresseurs sont arrêtés en raison d'une surchauffe. Vérifiez d'abord le condenseur ; ouvrez son capot pour le nettoyer ; aspirez-le si nécessaire. Si le problème persiste, contactez la maintenance.

#### 4.4.2. Vérification des réglages de température

1. Appuyez brièvement sur le bouton SET.

La valeur du point de consigne s'affiche sur l'écran.

Si vous n'appuyez sur aucun bouton dans un laps de cinq (5) secondes, la température s'affiche de nouveau automatiquement.

#### 4.5. Dégivrage automatique

L'armoire est équipée d'un dispositif de dégivrage automatique. L'unité commande les périodes de fonctionnement et le processus de dégivrage. Le dégivrage a lieu une (1) ou trois (3) fois par jour (dégivrage électrique). L'eau produite par le dégivrage est automatiquement évacuée vers un bac de vidange à gaz chauds ou vers un bac de vidange chauffé électriquement, selon le modèle de l'armoire. La température à l'intérieur de l'armoire s'élève de quelques degrés pendant le dégivrage.

### 5. Nettoyage

La procédure de nettoyage suivante doit être suivie au moins deux fois par an.

**Remarque** L'armoire ne doit pas être nettoyée lorsque les ventilateurs sont en route. Pour arrêter les ventilateurs, débranchez l'armoire.

**ATTENTION** Les évaporateurs, les condenseurs et les pièces en acier inoxydable peuvent avoir des bords tranchants. Pour ne pas vous couper, portez des gants de protection et travaillez prudemment.



1. Débranchez l'armoire ou passez l'interrupteur séparé en position nettoyage.
2. Videz l'armoire.
3. Laissez l'armoire atteindre la température ambiante.
4. Retirez les déchets.

N'utilisez pas d'outils pointus pour enlever la glace de l'évaporateur. Des fuites de réfrigérant sont possibles si vous endommagez le serpentin.

5. Éliminez l'eau de vidange, le cas échéant.
6. Nettoyez les surfaces internes de l'armoire à l'aide d'un détergent liquide doux (non toxique, pH 6-8) et séchez soigneusement les surfaces avec un linge propre.

7. Une fois le nettoyage terminé, remettez l'armoire en route.

Voir section *Mise en route*.

De plus, vérifiez régulièrement que

- le bruit produit par l'armoire est normal,
- l'évaporateur est propre
- les grilles d'aspiration et d'évacuation ne sont pas bouchées ou encrassées.



**Remarque** Nettoyez le bac de vidange situé dans le compartiment moteur. Un nettoyage insuffisant ou occasionnel risque de réduire la durée de vie du radiateur électrique / des tuyaux de gaz du bac de vidange. Les résidus de détergent dans le bac doivent être immédiatement éliminés.



**Remarque** En cas de fuite de réfrigérant, tous les produits exposés dans l'armoire doivent être jetés et l'armoire doit être nettoyée.

## 5.1. Nettoyage du condenseur

Vérifiez une fois par mois, ou davantage si nécessaire, que le condenseur est propre.

Si nécessaire, suivez les procédures suivantes.

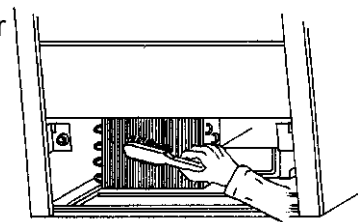
1. Dépoussiérez les ailettes du condenseur et vérifiez que l'espace entre les ailettes n'est pas obstrué.
2. Tirez le bord supérieur de la plaque vers l'extérieur et tournez la plaque vers la bas, comme illustré sur le dessin ci-joint.

Si le régulateur indique une pression élevée dans le condenseur, celui-ci doit être vérifié et nettoyé si nécessaire. Si l'armoire ne fonctionne toujours pas normalement, contactez la maintenance.



**Remarque** Lorsque l'armoire est débranchée, son radiateur ou la pompe ne fonctionnent pas et le bac de vidange peut se remplir d'eau ou de liquide de nettoyage.

**Remarque** Le condenseur se trouve en bas de l'armoire.



## 6. Pannes de courant

Suite à une panne de courant ou une interruption de l'alimentation électrique, l'armoire se remet en route automatiquement. Suite à une panne de courant, le bac d'évaporation peut déborder. Après une panne de courant, vérifiez que l'armoire fonctionne normalement. Si nécessaire, contactez votre société de maintenance la plus proche.

## 7. Dépannage

En cas de panne de l'armoire ou de ses équipements, ou si l'armoire ne fonctionne pas normalement, vérifiez que celle-ci ne présente aucun danger pour les personnes et les biens. Si nécessaire, débranchez l'armoire et contactez votre société de maintenance la plus proche.

Avant de contacter un représentant d'entretien, vérifiez que

- la prise de l'armoire est bien raccordée à la prise d'alimentation, et la source d'alimentation fonctionne correctement.
- le fusible de l'armoire est intact.
- l'armoire est correctement positionnée.
- le condensateur n'est ni bloqué ni sale.
- les produits sont correctement placés dans l'armoire.
- l'air circule librement dans l'armoire.
- le dégivrage n'est pas en cours (voir le thermomètre).

Si vous ne parvenez pas à identifier la raison du dysfonctionnement, débranchez l'armoire et contactez votre société de maintenance.

Vérifiez à intervalles réguliers que le bruit de l'armoire est normal, que le condenseur et l'évaporateur sont propres et que les grilles d'aspiration et d'évacuation ne sont pas bouchées par des déchets, des débris d'emballage ou d'autres matériaux. Voir section 4.4.1. *Messages de l'écran*

## 8. Entretien et pièces de rechange

Les spécifications de l'armoire sont indiquées sur la plaque signalétique (voir la couverture intérieure). Veuillez indiquer à votre société de maintenance agréée le type, le nom, le numéro de série de l'armoire ainsi que les marquages de contrôle indiqués sur la plaque signalétique. Un schéma de connexions et une liste des spécifications techniques (FAKTA) qui comprend une liste des composants sont inclus dans la pochette plastique située à l'intérieur du compartiment moteur de l'armoire. Les fréquences d'entretien de l'armoire sont indiquées dans le contrat de maintenance.

**Remarque** Seules des régleurs autorisés peuvent effectuer l'entretien et les réparations du moteur et des appareils électriques de l'armoire. L'évaporateur doit être nettoyé uniquement par un personnel d'entretien agréé.



Il est recommandé d'utiliser des pièces de rechange Viessmann Refrigeration Systems Oy.

## 9. Mise au rebut

Une fois sa durée de vie écoulée, l'armoire doit être mise au rebut conformément aux réglementations et instructions locales. Demandez conseil auprès d'un expert avant de mettre au rebut des substances dangereuses pour l'environnement et pour utiliser des matériaux recyclables.

**ATTENTION** Le R290 est très inflammable (concerne les armoires contenant du propane R290 comme réfrigérant).





# POLSKI

<b>1. Informacje ogólne</b> .....	2
<b>1.1. Gwarancja</b> .....	2
<b>2. TectoPromo IS 1 Norwell</b> .....	2
<b>2.1. Typy regałów</b> .....	2
<b>2.2. Ograniczenia</b> .....	3
<b>2.3. Opakowanie</b> .....	3
<b>2.4. Uszkodzenia podczas transportu</b> .....	4
<b>2.5. Sposób instalowania</b> .....	4
<b>2.6. Czyszczenie przed rozpoczęciem użytkowania</b> .....	5
<b>3. Połączenia elektryczne</b> .....	5
<b>4. Obsługa</b> .....	5
<b>4.1. Uruchamianie</b> .....	5
<b>4.2. Zapełnianie regału</b> .....	6
<b>4.3. Nastawianie termostatu</b> .....	6
<b>4.4. Przyrząd kontrolny NRC-100</b> .....	6
4.4.1. Wyświetlane komunikaty.....	6
4.4.2. Kontrola ustawień temperatury.....	7
<b>4.5. Przyrząd kontrolny Dixell XR40CX</b> .....	8
4.5.1. Wyświetlane komunikaty.....	8
4.5.2. Kontrola ustawień temperatury.....	9
<b>4.6. Automatyczne odszranianie</b> .....	9
<b>5. Czyszczenie</b> .....	9
<b>5.1. Czyszczenie skraplacza</b> .....	10
<b>6. Przerwy w zasilaniu</b> .....	10
<b>7. Rozwiązywanie problemów</b> .....	11
<b>8. Serwis i części zamienne</b> .....	11
<b>8.1. Wymiana lampy jarzeniowej</b> .....	11
<b>9. Likwidacja urządzenia</b> .....	12

# 1. Informacje ogólne

Należy dokładnie zapoznać się z niniejszą instrukcją. Jest w niej wyjaśnione jak poprawnie i bezpiecznie instalować, ustawiać, użytkować i obsługiwać regał chłodniczy.

Instrukcja powinna być przechowywana w miejscu bezpiecznym i łatwo dostępnym dla wszystkich użytkowników.

Regał chłodniczy należy instalować i uruchamiać zgodnie z zaleceniami producenta oraz przepisami obowiązującymi w danym kraju.

W przypadku uszkodzenia regału chłodniczego bądź jego podzespołu, a także w przypadku nieprawidłowej pracy regału, należy upewnić się, że zaistniały defekt nie powoduje zagrożenia dla osób bądź mienia. W razie konieczności należy odłączyć regał od zasilania oraz skontaktować się z najbliższym serwisem. Użytkownicy regału chłodniczego zobowiązani są do prowadzenia jego eksploatacji w sposób prawidłowy i bezpieczny.

## 1.1. Gwarancja

Działanie oraz materiały, z których wykonano regał są objęte gwarancją przez okres jednego (1) roku dla normalnych warunków eksploatacji (klasa 3).

Normalna eksploatacja odnosi się do warunków otoczenia nieprzekraczających:

- Wilgotności względnej 60%
- Temperatury otoczenia +25°C
- Przepływu powietrza < 0,2 m/s

### Uwaga



Gwarancja nie obejmuje stłuczenia (incydentalnego bądź nie) elementów wykonanych ze szkła.

## 2. TectoPromo IS 1 Norwell

TectoPromo IS 1 Norwell jest regałem wystawowym dla mrozonek i produktów opakowanych, który utrzymuje odpowiednią dla nich temperaturę przechowywania.

### 2.1. Typy regałów

Pod marką TectoPromo IS 1 Norwell produkowane są dwa typy regałów:

- Typ C: regał ekspozycyjny na schłodzone produkty (+2...+4°C).
- Typ FC: może pełnić funkcję lodówki bądź zamrażarki zależnie od ustawień temperatury (-23 do -21°C/+0 do +2°C). Modele FC są dostępne wyłącznie w wersji z pokrywą. Nie zdejmować pokrywy w trakcie pracy urządzenia.

Temperatura wewnętrzna regału jest ustawiana fabrycznie na wartość wymaganą przez klienta.

## 2.2. Ograniczenia

Zabrania się użytkowania regału w sposób niezgodny z jego przeznaczeniem. W regale można przechowywać wyłącznie te produkty, które zostały wymienione w instrukcji lub w broszurze informacyjnej regału.

Producent nie ponosi odpowiedzialności za wypadki spowodowane użytkowaniem regału chłodniczego niezgodnie z niniejszą instrukcją, niestosowaniem się do zawartych w niej ostrzeżeń lub postępowaniem z pominięciem instrukcji.

**Uwaga**

Wchodzenie do regału lub na jego górną część jest zabronione. Stawanie na którejkolwiek części regału jest zabronione.

**Uwaga**

Ze szklanymi pokrywami i drzwiami należy obchodzić się ostrożnie, aby zapobiec obrażeniom palców i innych części ciała.

**Uwaga**

Powierzchnie wewnątrz regału w wersji H są gorące, dlatego należy zawsze zakładać rękawice ochronne.

**Uwaga**

Regału można używać wyłącznie w pomieszczeniach.

**Uwaga**

W razie podejrzenia wycieku czynnika chłodniczego przewietrzyć pomieszczenie.

**Uwaga**

Przed wymianą źródła światła należy odłączyć regał od zasilania. Wymianę świetlówki rurkowej może wykonywać tylko wykwalifikowany technik.

**Uwaga**

Przechowywanie palnych lub niebezpiecznych cieczy w regale jest surowo zabronione.

## 2.3. Opakowanie

Regał chłodniczy, zawsze gdy jest to możliwe, należy transportować do miejsca przeznaczenia w oryginalnym opakowaniu fabrycznym. Materiały opakowania mogą być wykorzystane jako surowce wtórne.

**Uwaga**

(dotyczy tylko regałów, w których jako czynnik chłodniczy stosowany jest R290): nie włączać zasilania regału, jeśli występuje podejrzenie, że podczas transportu doszło do wycieku czynnika chłodniczego.

## 2.4. Uszkodzenia podczas transportu

Regał należy rozpakować oraz sprawdzić, czy podczas transportu nie wystąpiły uszkodzenia. Wszelkie zauważone uszkodzenia należy bezzwłocznie zgłaszać firmie ubezpieczeniowej, dostawcy bądź producentowi regału.

## 2.5. Sposób instalowania

1. Ustawić regał we właściwym miejscu.

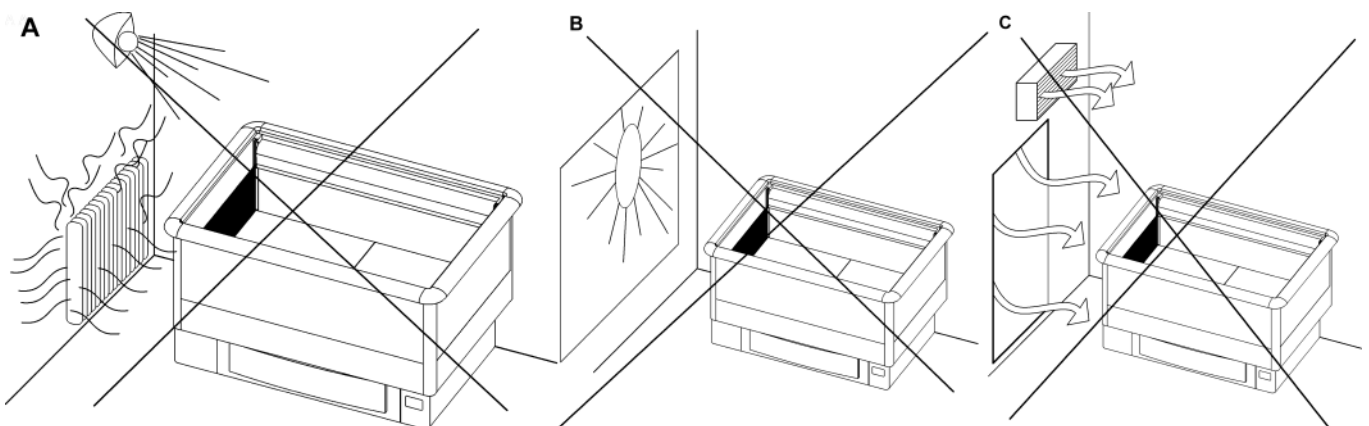
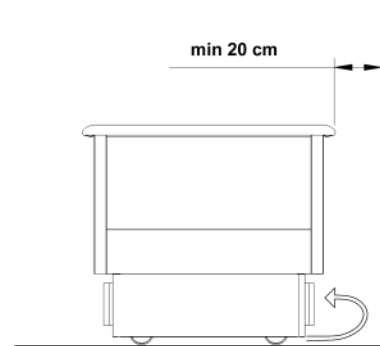
**Uwaga** Nie podnosić regału za ramę górną, ponieważ może ona ulec pęknięciu.

2. Należy upewnić się, iż dopływ powietrza do skraplacza nie jest zakłócany.

Za regalem należy pozostawić wolną przestrzeń o szerokości co najmniej 20 cm.

Podczas instalowania regału należy sprawdzić, czy:

- Podłoże, na którym stoi regał, jest płaskie i równe.
- Na regale nie znajdują się żadne przedmioty.
- Regał nie znajduje się w bezpośrednim sąsiedztwie źródła ciepła takiego jak grzejnik, dmuchawa grzewcza lub reflektor punktowy. Zob. *rysunek A*.
- Regał nie znajduje się w miejscu bezpośredniego działania promieni słonecznych. W razie konieczności zamontować na pobliskim oknie żaluzje. Zob. *rysunek B*.
- Strumień powietrza z urządzeń klimatyzacyjnych nie jest skierowany na regał. Zob. *rysunek C*.



Prawidłowe ustawienie regału optymalizuje warunki temperaturowe oraz pracę urządzenia.

Regały z kółkami można przymocować do znajdującej się za nimi ściany w celu zabezpieczenia.

## 2.6. Czyszczenie przed rozpoczęciem użytkowania

1. Przed użyciem regału należy oczyścić powierzchnie i miejsca przeznaczone do przechowywania produktów żywnościowych za pomocą delikatnego płynnego detergentu (pH 6-8).

Należy przy tym postępować zgodnie z instrukcjami zamieszczonymi na stosowanym detergencie.

### Uwaga



Należy też sprawdzić, czy wszystkie płyny do czyszczenia regału nie są zaliczone do substancji toksycznych.

2. Wszystkie powierzchnie należy dokładnie wytrzeć do sucha.

## 3. Połączenia elektryczne

### Uwaga



Symbol zamieszczony na regale (symbol pioruna w trójkątnej obwódce) ostrzega, że pod obudową znajdują się podzespoły i przewody pod napięciem. Dostęp do miejsc, w których znajdują się urządzenia pod napięciem, jest dozwolony wyłącznie dla personelu wykwalifikowanego w zakresie instalacji i obsługi urządzeń elektrycznych.

Rodzaj bezpiecznika należy sprawdzić na tabliczce znamionowej zamocowanej na regale. Gniazdo zasilania powinno być uziemione i chronione bezpiecznikiem zwłocznym 16 A w przypadku modelu TectoPromo IS 1 Norwell 190 lub 10 A w przypadku pozostałych modeli TectoPromo IS 1 Norwell. Ten sam obwód bezpiecznika nie powinien chronić innych urządzeń.

### Uwaga



Wszystkie połączenia elektryczne muszą być wykonywane przez wykwalifikowany personel posiadający odpowiednie uprawnienia, zgodnie z wszelkimi wytycznymi IEE oraz przepisami krajowymi. Nieprzestrzeganie tego zapisu może doprowadzić do wypadku lub śmierci.

## 4. Obsługa

Chłodzenie odbywa się za pomocą układu parownika z wiatrakami. Parownik znajduje się w dolnej części podstawy regału.

Aby znaleźć włącznik oświetlenia, zob. *rys. 1 na pokrywie wewnętrznej*.



### 4.1. Uruchamianie

1. Podłączyć wtyczkę do gniazda zasilającego.  
Kompresor i wentylatory rozpoczną działanie.
2. Odczekać 90 minut lub do momentu uzyskania żądanej temperatury.  
Od tej chwili regał można napełniać towarem.

## 4.2. Zapełnianie regału

- Układać produkty w sposób ostrożny.
- Przy napełnianiu regału nie przekraczać limitów obciążenia oznaczonych na jego obudowie.

Zob. rys. 2 na pokrywie wewnętrznej.

Przekroczenie limitu obciążenia regału może powodować zakłócenia przepływu powietrza i wzrost temperatury przechowywanych produktów.

- Nie należy upuszczać bądź wrzucać produktów do wnętrza regału.

**Uwaga** Regał nie został zaprojektowany w celu chłodzenia produktów, ale w celu utrzymywania ich temperatury na poziomie takim, jaką miały one w momencie umieszczenia w regale. Produkty żywnościowe o temperaturze wyższej niż określona przez ich producenta nie powinny być umieszczane w regale.

## 4.3. Nastawianie termostatu

Termostat regału znajduje się w skrzynce zaciskowej umieszczonej wewnątrz komory podzespołów regału. Pokrywa komory podzespołów regału jest umocowana sprężyną. Temperatura termostatu jest ustawiana fabrycznie na właściwą wartość.

Model FC posiada przełącznik trybów zamrażarki/lodówki (F/C, -/+ ) umieszczony nad sterownikiem. Zob. rys. 1 na pokrywie wewnętrznej.

W modelu FC wybór trybu pracy odbywa się za pomocą przełącznika -/+.

## 4.4. Przyrząd kontrolny NRC-100

**Uwaga** Typ przyrządu kontrolnego zależy od modelu regału.

NRC-100 jest to automatyczny regulator rozmrażania sterowany termostatem i czujnikiem temperatury.

### 4.4.1. Wyświetlane komunikaty

W normalnym stanie pracy wyświetlacz wskazuje temperaturę wewnętrzną regału.



#### Sygnały wyświetlane podczas odszraniania:



Odszranianie w toku.



Schładzanie. Chłodzenie aż do osiągnięcia pożądanej temperatury.



Oczekiwanie na inne regały podczas synchronizacji odszraniania.

### Sygnaly alarmowe awarii czujnika:



Awaria czujnika termostatu. Wezwać serwis.



Awaria czujnika parownika. Wezwać serwis.



Awaria czujnika temperatury wewnątrz obudowy. Wezwać serwis.



Awaria czujnika bezpieczeństwa. Wezwać serwis.



Awaria czujnika bezpieczeństwa. Wezwać serwis.

### Sygnaly alarmowe awarii regału (przegrzanie skraplacza):



Czujnik bezpieczeństwa jest włączony, światło regału jest wyłączone (sygnał alarmowy). W pierwszej kolejności sprawdzić skraplacz, a następnie wyczyścić (otworzyć klapę w podstawie i w razie potrzeby odkurzyć skraplacz). Nacisnąć przycisk FNC lub wyłączyć, a następnie ponownie włączyć regał.



Regał wyłączył się z powodu przegrzania. W pierwszej kolejności sprawdzić skraplacz, a następnie wyczyścić (otworzyć klapę w podstawie i w razie potrzeby odkurzyć skraplacz). Jeśli wada będzie się powtarzać, wezwać serwis.

#### Uwaga



8888 lub inny niecodzienny sygnał na wyświetlaczu może wskazywać nieprawidłowość przy uruchamianiu. Odłączyć regał od zasilania, po czym podłączyć go ponownie. Jeżeli urządzenie nie uruchamia się normalnie, należy skontaktować się z serwisem.

#### 4.4.2. Kontrola ustawień temperatury

1. Nacisnąć przycisk FNC.

Wyświetli się komunikat SEtt.

2. Nacisnąć przycisk OK.

Wyświetli się zadana wartość.

3. Naciśnij przycisk FNC ponownie, aby powrócić do normalnego trybu pracy.

Podobnie, jeśli żaden przycisk nie zostanie użyty w ciągu pięciu (5) minut, wyświetlacz powróci do normalnego trybu wyświetlania temperatury.

## 4.5. Przyrząd kontrolny Dixell XR40CX

**Uwaga** Typ przyrządu kontrolnego zależy od modelu regału.

XR40CX to regulator regału, który za pomocą termostatu i czujnika temperatury w sposób automatyczny steruje procesem rozmrażania regału.



### 4.5.1. Wyświetlane komunikaty

W normalnym trybie pracy wyświetlacz wskazuje temperaturę wewnętrzną regału.

#### Sygnaly wyświetlane podczas odszraniania:



Odszranianie w toku.

#### Sygnaly alarmowe awarii czujnika:



Awaria czujnika termostatu. Wezwać serwis.



Awaria czujnika parownika. Wezwać serwis.



Awaria czujnika bezpieczeństwa. Wezwać serwis.



Awaria czujnika temperatury wewnątrz obudowy. Wezwać serwis.

#### Sygnaly alarmowe awarii regału (przegrzanie skraplacza):



Regał wyłączył się z powodu przegrzania. W pierwszej kolejności sprawdzić skraplacz, a następnie wyczyścić (otworzyć klapę w podstawie i w razie potrzeby odkurzyć skraplacz). Jeśli wada będzie się powtarzać, wezwać serwis.

#### 4.5.2. Kontrola ustawień temperatury

1. Nacisnąć krótko przycisk SET.

Wyświetli się zadana wartość.

Podobnie, jeśli żaden przycisk nie zostanie użyty w ciągu pięciu (5) sekund, wyświetlacz powróci do normalnego trybu wyświetlania temperatury.

#### 4.6. Automatyczne odszranianie

Regał wyposażono w automatyczne urządzenie odszraniające. Regulator steruje pracą regału oraz procesem odszraniania. Odszranianie jest wykonywane jeden (1) lub trzy (3) razy dziennie (odszeranie elektryczne). W zależności od modelu regału, woda odpływowa z procesu odszraniania jest automatycznie odprowadzana do tacy odparowującej skropliny gorącym gazem lub do ogrzewanego elektrycznie zbiornika odpływowego. W czasie odszraniania temperatura wewnątrz regału wzrasta o kilka stopni.

### 5. Czyszczenie

Przynajmniej dwukrotnie w ciągu roku należy przeprowadzać poniżej opisaną procedurę czyszczenia:

**Uwaga** Nie wolno czyścić regału podczas pracy wentylatorów. Aby wyłączyć wentylatory, należy odłączyć regał od źródła zasilania.

**UWAGA** Parowniki, kondensatory oraz części wykonane ze stali nierdzewnej mogą mieć ostre krawędzie. Aby uniknąć obrażeń, nosić rękawice ochronne i wykonywać pracę ostrożnie.



1. Odłączyć regał od źródła zasilania (bądź umieścić przełącznik zasilania w pozycji „czyszczenie”).
2. Opróżnić regał z towaru.
3. Odczekać, aż regał osiągnie temperaturę otoczenia.
4. Usunąć wszelkie zanieczyszczenia.

Nie używać szpikulców ani innych ostrych narzędzi w celu usunięcia lodu z parownika. Uszkodzenie cewki może prowadzić do wycieku czynnika chłodniczego.

5. Sprawdzić stan wody odprowadzonej z odszraniania, w razie potrzeby usunąć ją.
6. Oczyszczyć wewnętrzne powierzchnie regału za pomocą łagodnego detergentu (nietoksycznego, pH 6-8), a następnie wytrzeć czystą szmatką do sucha.

7. Po zakończeniu czyszczenia, uruchomić regał.

Zob. sekcję *Uruchomienie*.

W regularnych odstępach czasu należy również sprawdzać, czy:

- odgłosy pracy regału brzmią normalnie,
- parownik jest czysty oraz
- kratki wlotu i wylotu powietrza nie są zatkane bądź zanieczyszczone.

**Uwaga**



Wyczyścić zbiornik odpływowy znajdujący się w komorze podzespołów. Nieprawidłowe lub zbyt rzadkie czyszczenie może skrócić okres użytkowania ogrzewaczy oraz instalacji rurowej gorącego gazu będącej częścią zbiornika odpływowego. Osady detergentu należy niezwłocznie wytrzeć.

**Uwaga**



W przypadku wycieku czynnika chłodniczego, wszystkie produkty znajdujące się regale należy usunąć, a następnie wyczyścić regał.

## 5.1. Czyszczenie skraplacza

Czystość skraplacza należy sprawdzać co najmniej raz w miesiącu, a nawet częściej jeśli zajdzie potrzeba.

Jeżeli to konieczne, wykonać następujące czynności:

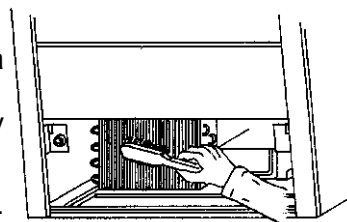
1. Odkurzyć ożebrowanie skraplacza i sprawdzić, czy przestrzenie między żebrami są wolne od przeszkód.
2. Odciągnąć górną krawędź płyty na zewnątrz oraz obrócić płytę ku dołowi zgodnie z załączonym rysunkiem.

Jeżeli regulator wskazuje, że w skraplaczu wytworzyło się wysokie ciśnienie, należy sprawdzić skraplacz i w razie konieczności wyczyścić go. Jeśli po wykonaniu tej procedury regał nadal nie działa prawidłowo, wezwać serwis.



**Uwaga**

Kiedy regał jest odłączony od zasilania, ogrzewacz zbiornika odpływowego lub pompa nie będą działały i woda odpływowa lub płyn czyszczący mogą wypełnić zbiornik odpływowy parowania.



**Uwaga**

Skraplacz znajduje się w dolnej części regału.

## 6. Przerwy w zasilaniu

W przypadku zaniku napięcia zasilającego, po jego przywróceniu działanie regału zostanie wznowione automatycznie. Podczas przerwy w zasilaniu zbiornik odpływowy parowania może się przepełnić. Po przywróceniu zasilania należy sprawdzić czy regał pracuje normalnie. W razie konieczności należy skontaktować się z najbliższym serwisem.

## 7. Rozwiązywanie problemów

W przypadku uszkodzenia regału chłodniczego bądź jego podzespołu, a także w przypadku nieprawidłowej pracy regału, należy upewnić się, że zaistniały defekt nie powoduje zagrożenia dla osób bądź mienia. W razie konieczności należy odłączyć regał od zasilania oraz skontaktować się z najbliższym serwisem.

Przed skontaktowaniem się z przedstawicielem serwisu należy sprawdzić, czy:

- wtyczka nie została odłączona od gniazda zasilającego oraz czy zasilanie działa prawidłowo
- bezpiecznik regału nie jest przepalony
- pozycja regału jest prawidłowa
- skraplacz nie jest zablokowany bądź zabrudzony
- produkty są właściwie umieszczone w regale
- obieg powietrza w regale odbywa się bez zakłóceń
- nie jest przeprowadzane odszranianie, zob. wskazanie termometru

Jeśli nie można określić powodu wadliwego działania urządzenia, należy rozłączyć zasilanie regału i skontaktować się z serwisem.

W regularnych odstępach czasu należy kontrolować odgłosy pracy regału, czystość parownika i skraplacza oraz sprawdzać, czy kanały wlotu i wylotu powietrza nie są zasłonięte resztkami, pozostałościami opakowań itp.

## 8. Serwis i części zamienne

Dane techniczne regału zostały umieszczone na tabliczce znamionowej, zob. *pokrywa wewnętrzna*. W przypadku kontaktu z serwisem, należy podać następujące informacje: typ regału, jego nazwę, numer seryjny i oznaczenia kontrolne zamieszczone na tabliczce znamionowej. Schemat elektryczny i lista danych technicznych (FAKTA), która zawiera także listę podzespołów, znajdują się w plastikowej oprawie umieszczonej wewnątrz komory podzespołów regału. Okresy serwisowania regału uzgadnia się w umowie serwisowej.

### Uwaga



Obsługę i naprawę podzespołów oraz urządzeń elektrycznych regału mogą przeprowadzać tylko uprawnieni do tego monterzy. Parownik powinien być czyszczony przez uprawnioną osobę z personelu obsługi.

Zaleca się stosowanie oryginalnych części zamiennych produkcji firmy Viessmann Refrigeration Systems Oy.

### 8.1. Wymiana lampy jarzeniowej

1. Odłączyć oprawę oświetleniową od zasilania.
2. Zdjąć pokrywę zabezpieczającą oprawę oświetleniową.
3. Odkręcić lampę jarzeniową od oprawy oświetleniowej.
4. Przykręcić nową lampę jarzeniową i umieścić pokrywę zabezpieczającą na swoim miejscu.

## 9. Likwidacja urządzenia

Po zakończeniu przewidzianego okresu użytkowania regału, jego likwidacja powinna odbywać się zgodnie z lokalnie obowiązującymi normami i przepisami. W przypadku usuwania substancji szkodliwych dla środowiska bądź utylizacji materiałów nadających się do wykorzystania wtórnego, należy korzystać z informacji i pomocy specjalistów.

### **UWAGA**



R290 jest środkiem wysoce łatwopalnym; dotyczy to regałów, w których jako czynnik chłodniczy stosowany jest propan R290.

# РУССКИЙ

1. Перед эксплуатацией .....	2
1.1. Гарантийные обязательства .....	2
2. Витрина TectoPromo IS 1 Norwell .....	2
2.1. Предупреждения .....	2
2.2. Типы холодильных шкафов .....	3
2.3. Ограничения .....	3
2.4. Упаковка .....	4
2.5. Повреждение при транспортировке .....	4
2.6. Установка .....	4
2.7. Чистка перед началом эксплуатации .....	5
3. Электрические соединения .....	6
4. Принцип работы .....	6
4.1. Ввод в эксплуатацию .....	6
4.2. Загрузка витрины .....	6
4.3. Настройка рабочего термостата .....	7
4.4. Устройство управления Dixell XR40CX .....	7
4.4.1. Показания дисплея.....	7
4.4.2. Проверка настроек температуры.....	8
4.5. Автораозморозка .....	8
5. Чистка .....	8
5.1. Чистка конденсатора .....	9
6. Перерывы в подаче электроэнергии .....	10
7. Устранение неисправностей .....	10
8. Техническое обслуживание и запасные части .....	10
9. Утилизация оборудования .....	11

## 1. Перед эксплуатацией

Внимательно прочитайте инструкции, в которых описано, как правильно и безопасно устанавливать, эксплуатировать и обслуживать витрину.

Храните эти инструкции в надежном месте, доступном другим пользователям.

Установка и ввод в эксплуатацию витрины должны выполняться в соответствии с указаниями изготовителя, а также местными нормами.

При обнаружении повреждений витрины или ее оборудования, а также при сбоях в ее работе убедитесь в том, что неполадки не представляют опасности для людей или имущества. При необходимости отключите витрину от источника питания и обратитесь в ближайший сервисный центр. Все пользователи должны ознакомиться с правилами техники безопасности и эксплуатации витрины.

### 1.1. Гарантийные обязательства

На каждую витрину и используемые в ней материалы предоставляется годовая гарантия в случае работы в нормальных условиях окружающей среды (класс 3).

Должны соблюдаться указанные ниже условия.

- Относительная влажность воздуха: 60 %
- Температура окружающей среды: +25 °C
- Фронтальный воздушный поток: не более 0,2 м/с

#### Внимание



Гарантия не распространяется на какие повреждения стекла (случайные или умышленные).

## 2. Витрина TectoPromo IS 1 Norwell

TectoPromo IS 1 Norwell — это витрина, поддерживающая температуру, необходимую для хранения замороженных и расфасованных продуктов.

### 2.1. Предупреждения

#### ОСТОРОЖНО



Если оборудование содержит пропан R290, оно является огнеопасным. Содержание пропана указывается на паспортной табличке и на оборудовании.

#### ОСТОРОЖНО



Не создавайте препятствий воздушному потоку в машинном отсеке и витрине.

#### ОСТОРОЖНО



Запрещается ускорять процесс размораживания механическими способами.

**ОСТОРОЖНО** Запрещается нарушать холодильный цикл.



**ОСТОРОЖНО** По причине огнеопасности установку системы может выполнять только квалифицированный специалист.



**ОСТОРОЖНО** Запрещается помещать электрооборудование внутрь витрины, если на это не получено разрешение изготовителя.



## 2.2. Типы холодильных шкафов

Существует два типа холодильных шкафов TectoPromo IS 1 Norwell.

- Тип С — охлаждаемая витрина (+2...+4 °С).
- Тип FC в зависимости от настройки температуры может выполнять функции морозильной или холодильной камеры (-21...-23 °С/+0...+2 °С). Модели FC предлагаются только с крышками. Не снимайте крышки во время работы агрегата.

Холодильный шкаф настраивается на необходимую температуру на заводе.

## 2.3. Ограничения

Использование витрины в целях, не указанных в данной инструкции, запрещено. В витрине могут храниться только те продукты, которые указаны в данной инструкции или брошюре с описанием витрины.

Изготовитель не несет никакой ответственности за неисправности, которые явились результатом эксплуатации холодильной витрины с нарушением этой инструкции, игнорирования предупреждений или невыполнения указаний этой инструкции.

**Внимание** Запрещается залезать внутрь витрины и на нее. Запрещается вставать на какие-либо части витрины.



**Внимание** Осторожно обращайтесь с витринами со стеклянными крышками и дверями во избежание получения порезов пальцев и других травм.



**Внимание** Обязательно используйте защитные перчатки при обслуживании витрины модели H, поскольку поверхности внутри витрины нагреваются.



**Внимание** Витрина предназначена для эксплуатации только в помещении.



**Внимание** В случае возникновения утечки хладагента проветрите помещение.



**Внимание**

Строго запрещается хранение легко воспламеняющихся или опасных жидкостей в витрине.

## 2.4. Упаковка

Витрину рекомендуется транспортировать или перемещать к месту установки в оригинальной заводской упаковке. Упаковочные материалы подлежат вторичной переработке.

**Внимание**

(Относится только к витринам, в которых используется хладагент R290): запрещается включать питание витрины в случае возникновения протечки хладагента во время транспортировки.

## 2.5. Повреждение при транспортировке

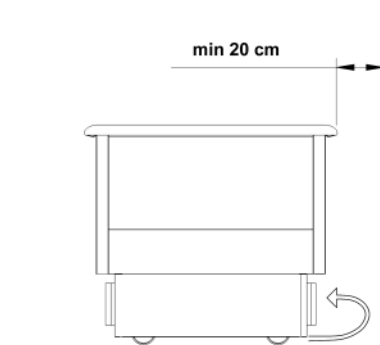
Распакуйте витрину и проверьте ее на наличие повреждений, полученных при транспортировке. О любом обнаруженном повреждении незамедлительно сообщите своей страховой компании, поставщику или изготовителю витрины.

## 2.6. Установка

1. Установите витрину в требуемом месте.

**Внимание**

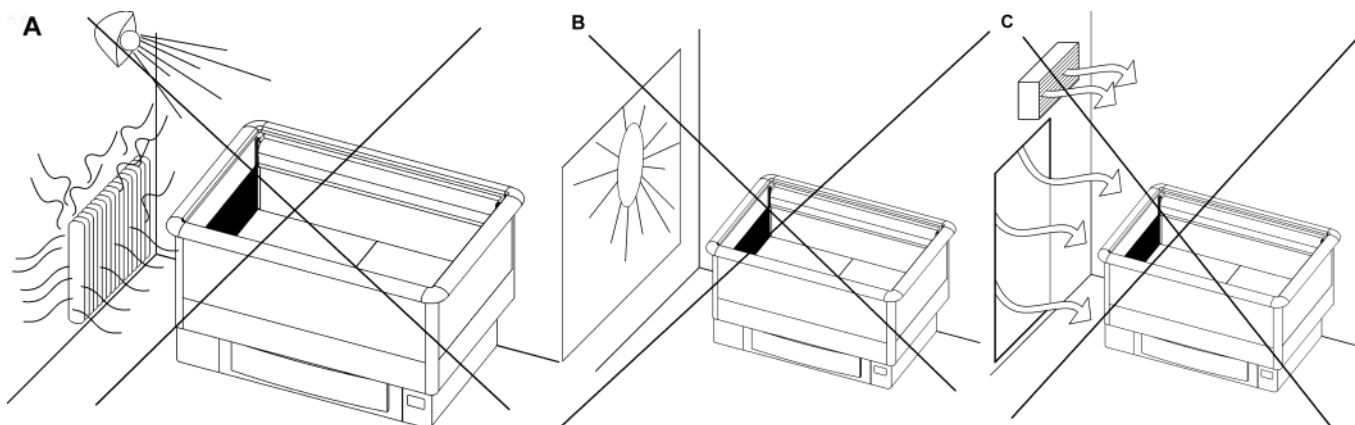
Не поднимайте ее за верхнюю раму, поскольку она может сломаться.



2. Убедитесь в отсутствии препятствий на пути воздушного потока к блоку конденсатора. Оставьте не менее 20 см свободного места позади витрины.

При установке витрины соблюдайте приведенные ниже правила.

- Устанавливайте витрину на ровную поверхность.
- Не кладите предметы сверху на витрину.
- Не размещайте витрину в непосредственной близости от источников тепла, например радиаторов, калориферов или мощных осветительных ламп. См. *рис. А*.
- Витрина не должна подвергаться прямому воздействию солнечных лучей. При необходимости установите жалюзи на расположенном поблизости окне. См. *рис. В*.
- Поток воздуха из системы кондиционирования не должен быть направлен на витрину. См. *рис. С*.



Правильное расположение витрины позволяет достичь наилучших температурных условий и производительности.

В целях безопасности витрину на роликах/колесиках можно надежно прикрепить к расположенной за ней стене.

## 2.7. Чистка перед началом эксплуатации

1. Перед использованием витрины выполните очистку отсека для хранения пищевых продуктов с помощью жидкого моющего средства мягкого действия (pH 6-8).

Следуйте инструкциям по использованию моющего средства.

### Внимание



Убедитесь в том, что все применяемые моющие средства относятся к классу нетоксичных веществ.

2. Тщательно высушите поверхности.

### 3. Электрические соединения

#### Внимание



Символ молнии внутри треугольника на корпусе витрины означает, что некоторые компоненты и провода, расположенные под крышкой, находятся под напряжением. Доступ к таким зонам разрешен только квалифицированным специалистам по монтажу и ремонту электрооборудования.

Напряжение и размер предохранителя см. на паспортной табличке на корпусе витрины. Розетка электропитания должна быть заземлена и защищена инерционным плавким предохранителем на 16 А в случае модели TectoPromo IS 1 Norwell 190 и инерционным плавким предохранителем на 10 А для остальных моделей TectoPromo IS 1 Norwell. К тому же предохранителю запрещено подключать другие электрические устройства.

#### Внимание



Все электрические соединения должны выполняться квалифицированными специалистами в соответствии с местными нормами и нормами IEE. Несоблюдение этих правил может привести к травмам или летальному исходу.

### 4. Принцип работы

Охлаждение выполняется с помощью системы испарителя с вентиляторами. Испаритель находится на основании нижней секции витрины.

Расположение выключателя освещения витрины показано на *рис. 1 на внутренней крышке*.



#### 4.1. Ввод в эксплуатацию

1. Вставьте вилку в розетку.

Компрессор и вентиляторы начнут работать.

2. Не загружайте витрину в течении 90 минут или до достижения установленной температуры.

После этого устройство готово к работе.

#### 4.2. Загрузка витрины

- Размещайте продукты аккуратно.
- Не загружайте витрину выше указанных на ней ограничительных отметок.

См. *рис. 2 на внутренней крышке*.

Превышение загрузки может нарушить необходимую структуру воздушных потоков и вызвать повышение температуры продуктов.

- Не роняйте и не бросайте продукты в витрину.

**Внимание** Витрина предназначена не для охлаждения продуктов, а для поддержания температуры, при которой они были помещены в нее. Не размещайте в витрине продукты, температура которых превышает указанную.

### 4.3. Настройка рабочего термостата

Рабочий термостат расположен в распределительной коробке внутри машинного отсека. Крышка машинного отсека фиксируется с помощью пружины. Правильный уровень температуры для термостата задан на заводе.

В моделях FC переключатель F/C (-/+) расположен над контроллером. См. *рис. 1 на внутренней крышке*.

В моделях FC рабочий режим должен выбираться с помощью переключателя -/+.

### 4.4. Устройство управления Dixell XR40CX

**Внимание** Тип устройства управления зависит от витрины.

XR40CX представляет собой электронный контроллер для витрины.



#### 4.4.1. Показания дисплея

В обычном режиме работы на дисплее показывается температура внутри витрины.

##### Сигналы разморозки



Включен режим размораживания.

##### Аварийные сигналы при сбоях датчиков



Сбой управляющего датчика. Обратитесь в сервисный центр.



Сбой датчика испарителя. Обратитесь в сервисный центр.



Сбой датчика витрины. Обратитесь в сервисный центр.



Сбой датчика температуры конденсатора. Обратитесь в сервисный центр.

## Аварийные сигналы при сбоях в работе витрины (перегрев конденсатора)



Компрессоры выключились из-за перегрева. Проверьте и при необходимости очистите конденсатор (откройте крышку на основании и при необходимости очистите конденсатор с помощью пылесоса). Если сбой не устраняется, обратитесь в сервисный центр.

### 4.4.2. Проверка настроек температуры

1. Выполните кратковременное нажатие клавиши SET.

На дисплее будет отображено значение уставки.

Если в течение 5 (пяти) минут вы не нажмете ни одну из клавиш, будет восстановлен нормальный режим отображения температуры.

### 4.5. Автораозморозка

Витрина оснащена устройством автоматической разморозки. Блок управляет рабочими циклами и процессом разморозки. Разморозка выполняется один (1) или три (3) раза в сутки (электрическая разморозка). Вода, сливаемая при разморозке, автоматически направляется в лоток испарителя с горячим газом или в испарительный поддон с электрическим подогревом, в зависимости от модели витрины. Во время разморозки температура внутри витрины повышается на несколько градусов.

## 5. Чистка

Описанные ниже процедуры чистки необходимо выполнять не реже двух раз в год.

**Внимание** Не следует выполнять очистку витрины при работающих вентиляторах. Для отключения вентиляторов отсоедините витрину от источника электропитания.

**ОСТОРОЖНО** Изготовленные из нержавеющей стали испарители, компрессоры и детали могут иметь острые кромки. Надевайте защитные перчатки и работайте, соблюдая осторожность, во избежание порезов.



1. Отключите витрину от источника питания или переведите отдельно стоящий переключатель в положение чистки.
2. Извлеките продукты.
3. Дайте температуре в витрине повыситься до температуры окружающей среды.

#### 4. Удалите весь мусор.

Не используйте резцы и острые инструменты для удаления льда из испарителя. Повреждение змеевика может привести к утечке холодильного агента.

#### 5. Проверьте наличие талой воды и слейте ее при необходимости.

#### 6. Очистите внутренние поверхности витрины, используя мягкое нетоксичное моющее средство (рН 6-8), затем насухо вытрите их чистым полотенцем.

#### 7. После чистки включите витрину.

См. раздел «Ввод в эксплуатацию».

Периодически проверяйте:

- уровень шума витрины в режиме работы;
- степень загрязненности испарителя;
- степень загрязненности входной и выходной решеток и отсутствие препятствий для движения воздуха через них.

#### Внимание



Очистите поддон испарителя в машинном отсеке. Небрежная и нерегулярная чистка может сократить срок службы электронагревателя / трубопровода горячего газа для поддона испарителя. Остаток моющего средства следует незамедлительно удалить их лотка.

#### Внимание



В случае утечки холодильного агента требуется утилизировать все выставленные на витрине продукты, затем выполнить чистку витрины.

## 5.1. Чистка конденсатора

Проверяйте конденсатор на предмет наличия загрязнений раз в месяц или чаще.

При необходимости выполняйте указанные ниже действия.

1. Прочистите пластины конденсатора пылесосом и проверьте, нет ли между ними посторонних предметов.
2. Потяните верхний край панели наружу и поверните ее вниз, как показано на рисунке.

Если модуль контроллера указывает на высокое давление в конденсаторе, проверьте конденсатор и при необходимости очистите его. Если проблема не устранена, обратитесь в сервисный центр.

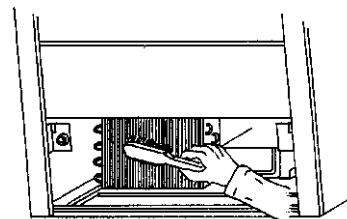


#### Внимание

Когда витрина не подключена к источнику питания, подогреватель поддона и насос не работают, поэтому вода или моющее средство могут наполнить поддон испарителя.

#### Внимание

Конденсаторный агрегат расположен в нижней части витрины.



## 6. Перерывы в подаче электроэнергии

После перерыва в подаче питания витрина автоматически возобновляет работу. За время, когда питание отключено, может переполниться поддон испарителя. После возобновления питания проверьте правильность работы витрины. При необходимости обратитесь в ближайший сервисный центр.

## 7. Устранение неисправностей

При обнаружении повреждений витрины или ее оборудования, а также при сбоях в ее работе убедитесь в том, что неполадки не представляют опасности для людей или имущества. При необходимости отключите витрину от источника питания и обратитесь в ближайший сервисный центр.

Перед обращением в сервисный центр убедитесь в том, что:

- вилка вставлена в розетку, а питающая электросеть исправна;
- плавкий предохранитель находится в рабочем состоянии;
- витрина установлена правильно;
- конденсатор не заблокирован и не загрязнен;
- продукты размещены надлежащим образом;
- циркуляция воздуха в витрине не нарушена;
- не выполняется разморозка (посмотрите на термометр).

Если причина сбоя в работе не определена, отключите устройство от источника питания и обратитесь в сервисный центр.

Периодически проверяйте уровень шума витрины во время работы (он должен быть в пределах нормы), а также степень загрязненности испарителя, отсутствие препятствий для движения воздуха через входную и выходную решетки и отсутствие в них мусора, остатков упаковочной бумаги и подобных материалов.

## 8. Техническое обслуживание и запасные части

Технические данные витрины указаны в паспортной табличке, см. на *внутренней крышке*. Сообщите сотрудникам сервисного центра тип устройства, его название, заводской номер и данные о маркировках управления, имеющихся в паспортной табличке. Схема соединений и перечень технических характеристик (ФАКТА), который включает в себя список компонентов, находятся в пластиковом футляре в машинном отсеке. Сроки проведения обслуживания указаны в соответствующем договоре.

### Внимание



Обслуживание и ремонт электрического и механического оборудования витрины разрешено проводить только уполномоченным специалистам. Испаритель разрешается чистить только уполномоченным представителям сервисного центра.

Рекомендуется использовать запасные части от компании Viessmann Refrigeration Systems Oy.

## 9. Утилизация оборудования

По окончании срока службы витрину необходимо утилизировать в соответствии с местными нормами и правилами. Утилизацию повторно используемых материалов, а также веществ, опасных для окружающей среды, должны выполнять специалисты.

**ОСТОРОЖНО** R290 является чрезвычайно огнеопасным. Данное положение применяется к витринам, в которых в качестве хладагента используется пропан R290.





# NEDERLANDS

<b>1. Voordat u de kast in gebruik neemt</b> .....	2
<b>1.1. Garantie</b> .....	2
<b>2. TectoPromo IS 1 Norwell</b> .....	2
<b>2.1. Waarschuwingen</b> .....	2
<b>2.2. Kasttypen</b> .....	3
<b>2.3. Beperkingen</b> .....	3
<b>2.4. Verpakking</b> .....	4
<b>2.5. Transportschade</b> .....	4
<b>2.6. De kast installeren</b> .....	4
<b>2.7. Reiniging vóór gebruik</b> .....	5
<b>3. Elektrische aansluitingen</b> .....	5
<b>4. Bediening</b> .....	6
<b>4.1. De kast opstarten</b> .....	6
<b>4.2. De kast vullen</b> .....	6
<b>4.3. De bedrijfsthermostaat instellen</b> .....	6
<b>4.4. Bedieningsapparaat Dixell XR40CX</b> .....	7
4.4.1. Display-aanduidingen.....	7
4.4.2. De temperatuurinstellingen controleren.....	8
<b>4.5. Automatisch ontdooien</b> .....	8
<b>5. Reinigen</b> .....	8
<b>5.1. De condensor reinigen</b> .....	9
<b>6. Storingen in de elektriciteitsvoorziening</b> .....	9
<b>7. Problemen oplossen</b> .....	10
<b>8. Onderhoud en reserveonderdelen</b> .....	10
<b>9. De kast afdanken</b> .....	10

# 1. Voordat u de kast in gebruik neemt

Lees de onderstaande instructies aandachtig door. Hierin staat uitgelegd hoe u de kast op juiste en veilige wijze moet installeren, plaatsen, gebruiken en onderhouden.

Bewaar deze handleiding op een veilige plaats en zorg dat hij voor andere gebruikers beschikbaar is.

De kast moet worden geïnstalleerd en ingeschakeld in overeenstemming met de instructies van de fabrikant en de plaatselijk van kracht zijnde richtlijnen en voorschriften.

Bij een defect in de kast of uitrusting van de kast of als de kast niet op de juiste wijze functioneert, moet u controleren of er sprake is van risico's voor personen of eigendommen. Trek zo nodig de stekker van de kast uit het stopcontact en neem contact op met de dichtstbijzijnde reparatiedienst. Alle gebruikers van de kast dienen te weten hoe de kast op juiste en veilige wijze moet worden gebruikt.

## 1.1. Garantie

Op elke kast staat één (1) jaar garantie op duurzaamheid en materialen bij gebruik onder normale omgevingscondities (klasse 3).

Onder normale omgevingscondities wordt verstaan:

- Relatieve vochtigheid 60 % RV
- Omgevingstemperatuur +25 °C
- Frontale luchtstroom < 0,2 m/s

**Opmerking** Breuk van het glas, per ongeluk of anderszins, valt niet onder de garantie.



## 2. TectoPromo IS 1 Norwell

TectoPromo IS 1 Norwell is een vitrinekoeling voor bevroren voedingsmiddelen en voorverpakte producten die permanent de bewaartemperatuur handhaaft die voor deze producten vereist is.

### 2.1. Waarschuwingen

**Let op!** Als het koelsysteem propaan R290 bevat, is er brandgevaar. De propaaninhoud staat vermeld op het typeplaatje en het koelsysteem.



**Let op!** Blokkeer de luchtstroom in de compressor en de kast niet.



**Let op!** Probeer het ontdooien niet te versnellen met mechanische middelen.



**Let op!** Voorkom beschadiging van het koelcircuit.



**Let op!** Vanwege brandgevaar mag het systeem alleen worden geïnstalleerd door een gekwalificeerde monteur.



**Let op!** Plaats geen elektrische apparatuur in de kast, tenzij dit nadrukkelijk is goedgekeurd door de fabrikant.



## 2.2. Kasttypen

TectoPromo IS 1 Norwell heeft twee verschillende kasttypen.

- Type C is een gekoelde vitrinekast (+2...+4 °C).
- Type FC kan een vriezer of koeler zijn, afhankelijk van de temperatuurinstellingen (-23...-21 °C / +0...+2 °C). FC-modellen zijn alleen verkrijgbaar met deksels. Verwijder deksels niet terwijl de unit in werking is.

De temperatuur van de kast is in de fabriek ingesteld op het juiste niveau.

## 2.3. Beperkingen

Het is niet toegestaan om de kast op andere wijze te gebruiken dan in deze handleiding wordt aangegeven. De kast is uitsluitend bedoeld voor de in deze handleiding of de brochure vermelde producten.

De fabrikant is niet aansprakelijk voor schade of ongevallen veroorzaakt door gebruik van deze kast op andere wijze dan in deze handleiding wordt aangegeven, het niet opvolgen van de instructies in deze handleiding of het negeren van de waarschuwingen in deze handleiding.

**Opmerking** Het is niet toegestaan in of op de kast te klimmen. Het is niet toegestaan op enig onderdeel van de kast te staan.



**Opmerking** Wees voorzichtig met kasten met glazen kleppen en deuren om sneden aan vingers of ander letsel te voorkomen.



**Opmerking** Draag altijd beschermende handschoenen als u de H-versie onderhoudt, oppervlakken in de kast zijn heet.



**Opmerking** De kast is uitsluitend voor binnengebruik.



**Opmerking** Ventileer de ruimte als u vermoedt dat er koelmiddel is gelekt.



**Opmerking** De opslag van ontvlambare of gevaarlijke vloeistoffen in de kast is in geen geval toegestaan.



## 2.4. Verpakking

Transporteer of verplaats de kast zo mogelijk altijd in de oorspronkelijke fabrieksverpakking naar de uiteindelijke plaats. De verpakkingsmaterialen zijn recyclebaar.

**Opmerking** (Dit is alleen van toepassing op kasten die R290 gebruiken als koelmiddel): schakel de kast niet in als u vermoedt dat er koelmiddel is gelekt tijdens het vervoer.



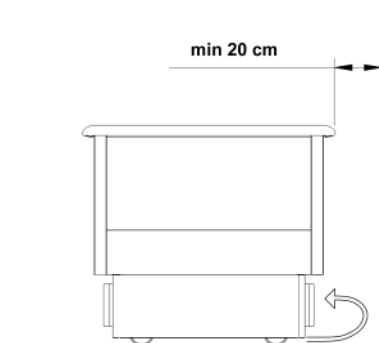
## 2.5. Transportschade

Pak de kast uit en controleer of er tijdens het transport schade is opgetreden. Meld eventuele schade direct bij uw verzekeringsbedrijf, de leverancier of de fabrikant van de kast.

## 2.6. De kast installeren

1. Zet de kast op zijn plaats.

**Opmerking** Til de kast niet aan het bovenste frame daar dit kan breken.

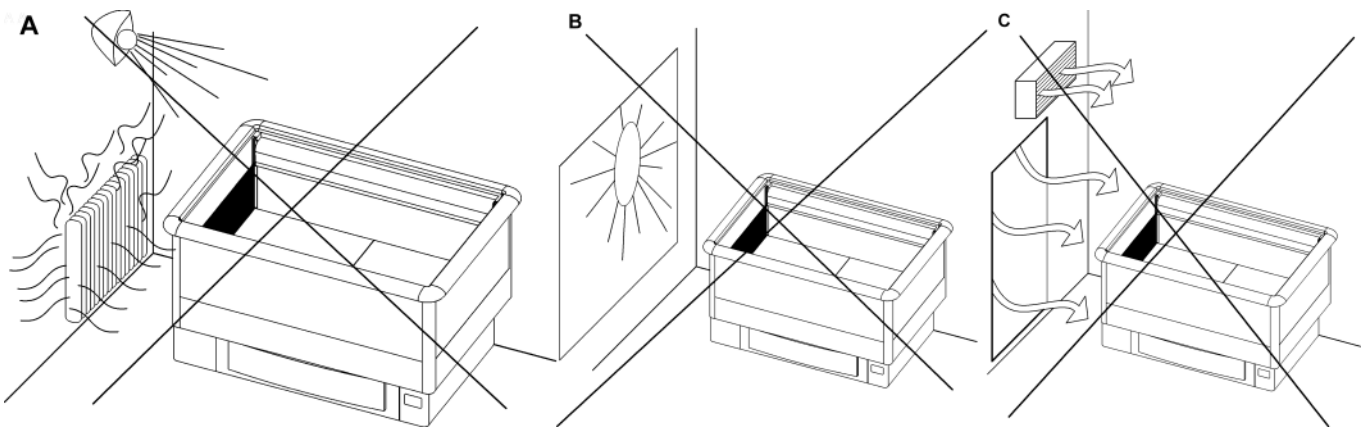


2. Zorg dat de luchtstroom naar de condensor niet wordt belemmerd.

Houd ten minste 20 cm achter de kast vrij voor de vereiste luchtstroom.

Let bij het installeren van de kast op het volgende:

- De kast moet op een vlakke en rechte ondergrond worden geplaatst.
- Er mogen geen producten op de kast worden geplaatst.
- De kast mag niet in de directe nabijheid van een warmtebron worden geplaatst, zoals een verwarmingsradiator, straalkachel of verlichtingsspot. Zie *afbeelding A*.
- De kast mag niet worden blootgesteld aan direct zonlicht. Gebruik zo nodig jaloezieën voor ramen in de nabijheid van de kast. Zie *afbeelding B*.
- Zorg dat een eventueel aanwezige airconditioning geen lucht tegen de kast blaast. Zie *afbeelding C*.



Juiste plaatsing van de kast zorgt voor optimale temperatuurvoorwaarden en koelprestaties. Kast met wieltjes kunnen als veiligheidsmaatregel worden verankerd aan de wand erachter.

## 2.7. Reiniging vóór gebruik

1. Maak alvorens de kast in gebruik te nemen de voedselcompartimenten schoon met een mild, vloeibaar reinigingsmiddel (pH 6-8).

Volg de instructies op de verpakking van het reinigingsmiddel.

**Opmerking** Gebruik uitsluitend reinigingsmiddelen die zijn geclassificeerd als niet-giftig.



2. Droog de oppervlakken goed af.

## 3. Elektrische aansluitingen

**Opmerking**



Het symbool op de kast (een bliksemschicht in een driehoek) geeft aan dat de kast onderdelen en bedrading bevat die onder spanning staan. De gedeelten die onder spanning staan, mogen alleen worden geopend door monteurs die zijn gekwalificeerd om elektrische apparatuur te installeren en te repareren.

Controleer de spanning en het ampèrage voor de vereiste stop op het typeplaatje op de kast. Het stopcontact moet zijn geaard en zijn beveiligd met een langzame zekering van 16 A voor de TectoPromo IS 1 Norwell 190 en met een langzame zekering van 10 A voor andere TectoPromo IS 1 Norwell modellen. Er mogen geen andere apparaten op dezelfde groep worden aangesloten.

**Opmerking** Werkzaamheden aan de elektrische installatie mogen uitsluitend worden uitgevoerd door een erkende installateur en de installatie moet voldoen aan alle IEE-voorschriften en lokale regelgeving. Het niet in acht nemen van deze veiligheidsinstructie kan ernstig of dodelijk letsel tot gevolg hebben.



## 4. Bediening

De kast wordt gekoeld door middel van een verdamper met ventilator. De verdamper bevindt zich in de voet van de kast.

Zie *afbeelding 1 op de binnenzijde van de omslag* voor de locatie van de lichtschakelaar van de kast.



### 4.1. De kast opstarten

1. Steek de stekker in het stopcontact.  
De compressor en de ventilatoren slaan aan.
2. Wacht 90 minuten of tot de gewenste temperatuur is bereikt  
alvorens de kast te vullen.

### 4.2. De kast vullen

- Plaats de producten zorgvuldig.
- Vul de kast niet hoger dan markeringen voor de maximale belasting in de kast.

Zie *afbeelding 2 op de binnenzijde van de omslag*.

Als u de koelkast te vol maakt, wordt het beoogde patroon van de luchtstroom onderbroken waardoor de temperatuur van producten stijgt.

- Laat producten niet in de kast vallen en gooi producten niet in de kast.

**Opmerking** De kast is niet ontworpen om producten te koelen, maar om ze op de temperatuur te houden waarmee ze in de vitrine worden geplaatst. Plaats geen voedingsproducten in de kast met een hogere bewaartemperatuur dan aangegeven.

### 4.3. De bedrijfstermostaat instellen

De bedrijfstermostaat van de kast bevindt zich in de stekkerdoos in het compressorcompartiment. De klep van het compressorcompartiment is bevestigd met een klemveer. De thermostaat is in de fabriek ingesteld op de juiste temperatuur.

Bij het F/C-model bevindt de F/C (-/+)-schakelaar zich boven de controller. Zie *afbeelding 1 op de binnenzijde van de omslag*.

In het FC-model moet de bedieningsmodus worden geselecteerd met behulp van de -/+ -schakelaar.

## 4.4. Bedieningsapparaat Dixell XR40CX

**Opmerking** Het type bedieningsapparaat is afhankelijk van de kast.  
XR40CX is een elektronische kastbedieningseenheid.

### 4.4.1. Display-aanduidingen

Bij normale werking wordt op het display de temperatuur in de kast weergegeven.



#### Signalen voor ontdooien



Ontdooien bezig.

#### Alarmsignalen bij sensorstoringen



Storing controlesensor. Neem contact op met servicedienst.



Storing verdampersensor. Neem contact op met servicedienst.



Storing sensor in kast. Neem contact op met servicedienst.



Storing temperatuursensor condensor. Neem contact op met servicedienst.

## Alarmsignalen bij storingen in koelsysteem (oververhitting condensor)



De compressoren zijn uitgeschakeld wegens oververhitting. Controleer eerst de condensor door het paneel aan de onderkant van de kast te openen en reinig de condensor indien nodig met een stofzuiger. Neem contact op met servicedienst indien de foutmelding opnieuw verschijnt.

### 4.4.2. De temperatuurinstellingen controleren

1. Druk kort op de toets SET.

De ingestelde waarde verschijnt op het display.

De normale temperatuurweergave verschijnt ook weer als u gedurende vijf (5) seconden geen toetsen indrukt.

### 4.5. Automatisch ontdooien

De kast beschikt over een automatische ontdooifunctie. Het apparaat bepaalt wanneer de koeling in werking is en wanneer de ontdooifunctie wordt gestart. Ontdooien vindt één (1) of drie (3) keer per dag plaats (elektrisch ontdooien). Het dooiwater wordt automatisch naar een verwarmingsbak met stoompijpen of een elektrisch verwarmde verdampingsbak geleid, afhankelijk van het model van de kast. Tijdens het ontdooien stijgt de temperatuur in de kast enkele graden.

## 5. Reinigen

De volgende reinigingsprocedure moeten ten minste tweemaal per jaar worden uitgevoerd:

**Opmerking** Reinig de kast niet terwijl de ventilatoren aanstaan. Trek de stekker uit het stopcontact om de ventilatoren uit te schakelen.

**Let op!** Verdampers, condensors en onderdelen van roestvrij staal kunnen scherpe randen hebben. Draag beschermende handschoenen en werk voorzichtig om snijwonden te voorkomen.



1. Trek de stekker van de kast uit het stopcontact of zet het apparaat in de reinigingsmodus met de daarvoor bestemde schakelaar.
2. Maak de kast leeg.
3. Wacht tot de temperatuur in de kast gelijk is aan de omgevingstemperatuur.
4. Verwijder eventuele voedselresten en ander vuil.

Gebruik nooit een mes of scherp voorwerp om het ijs uit de verdamper te verwijderen. Schade aan het koelcircuit kan leiden tot lekkage van koelvloeistof.

5. Controleer of de kast dooiwater bevat en verwijder dit zo nodig.
6. Reinig de interne oppervlakken van de kast met een mild reinigingsmiddel (niet giftig, pH 6-8) en droog ze goed af met een schone doek.
7. Zet de kast aan als het reinigen gereed is.

Zie *Inschakelen*.

Controleer tevens regelmatig of

- Het geluid dat de kast maakt normaal klinkt
- De verdamper schoon is
- De luchtroosters voor de luchttoevoer en -uitstroom niet verstopt of vuil zijn

**Opmerking** Reinig het afvoerreservoir in het compressorcompartiment. Niet regelmatig of niet op de juiste wijze reinigen van het koelsysteem kan de levensduur van de elektrische verwerkingseenheid of de stoompijpen voor het afvoerreservoir bekorten. Verwijder resten reinigingsmiddel direct uit de lade.



**Opmerking** Bij lekkage van de koelvloeistof moeten alle producten in de vitrinekast worden weggegooid en moet de kast worden gereinigd.



## 5.1. De condensor reinigen

Controleer eenmaal per maand, of vaker indien nodig, of de condensor schoon is.

Doe zo nodig het volgende:

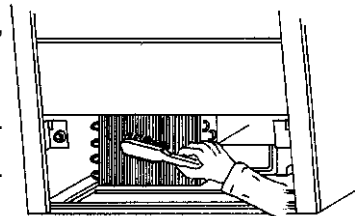
1. Reinig de koelribben van de condensor met een stofzuiger en controleer of de ruimten tussen de ribben vrij zijn.
2. Trek het paneel aan de bovenzijde naar buiten en leg het omgekeerd neer (zie tekening).

Controleer de condenser als de bedieningseenheid een te hoge druk in de condensor aangeeft, en reinig de condenser zo nodig. Neem contact op met servicedienst indien de kast daarna nog niet normaal functioneert



**Opmerking** Als de kast niet is aangesloten op de netvoeding, werken de verwarming en pomp van de verdampingsbak niet, waardoor deze vol kan lopen met dooiwater of vloeibaar reinigingsmiddel.

**Opmerking** De condensor bevindt zich in de voet van de kast.



## 6. Storingen in de elektriciteitsvoorziening

Na een stroomstoring of onderbreking van de stroomvoorziening start het koelproces automatisch opnieuw. Tijdens de stroomuitval kan de dooiwaterverdampingsbak vol raken en overlopen. Controleer na een stroomstoring of de kast normaal werkt. Neem zo nodig contact op met de dichtstbijzijnde servicedienst.

## 7. Problemen oplossen

Bij een defect in de kast of uitrusting van de kast of als de kast niet op de juiste wijze functioneert, moet u controleren of er sprake is van risico's voor personen of eigendommen. Trek zo nodig de stekker van de kast uit het stopcontact en neem contact op met de dichtstbijzijnde servicedienst.

Controleer voordat u een monteur belt eerst het volgende:


- Zit de stekker in het stopcontact en staat er spanning op het stopcontact?
- Is de stop van de groep waarop de kast is aangesloten niet doorgeslagen?
- Is de kast correct geplaatst?
- Is de condensor niet verstopt of vuil?
- Zijn de producten op de juiste wijze in de kast geplaatst?
- Wordt de luchtstroom in de kast niet belemmerd?
- Is de kast niet aan het ontdooien? (zie thermometer)

Kunt u de oorzaak van de storing niet achterhalen, trek dan de stekker uit het stopcontact en neem contact op met de servicedienst.

Controleer regelmatig of het geluid dat de kast maakt normaal klinkt, of de condensor en de verdamper schoon zijn en of de luchtroosters voor de luchttoevoer en -uitstroom niet worden geblokkeerd door vuilresten, verpakkingsmaterialen, etc.

## 8. Onderhoud en reserveonderdelen


De specificaties van de kast staan vermeld op het typeplaatje, zie *de binnenzijde van de omslag*. Geef het type, de naam, het serienummer en de op het typeplaatje vermelde controlemarkeringen van de kast door aan de erkende servicedienst. In het compressorcompartiment vindt u een plastic map met een elektrisch schema en een lijst met technische specificaties (FAKTA) inclusief onderdelenlijst. De onderhoudsintervallen voor de kast staan vermeld in een onderhoudscontract.

**Opmerking**  Onderhouds- en reparatiewerkzaamheden aan het koelsysteem of de elektrische installatie van de kast mogen uitsluitend worden uitgevoerd door een erkende reparateur. De verdamper mag alleen worden gereinigd door een erkende servicemonteur.

Gebruik bij voorkeur uitsluitend originele Viessmann Refrigeration Systems Oy onderdelen.

## 9. De kast afdanken

Als de levensduur van de kast ten einde loopt, moet de kast conform de lokale milieuwetgeving worden afgevoerd. Vraag bij de plaatselijke reinigingsdienst of milieudienst informatie over het afvoeren van schadelijke stoffen en het inzamelen van recyclebare materialen.

**Let op!**  R290 is uiterst ontvlambaar, dit is van toepassing op kasten die R290 propaan gebruiken als koelmiddel.

# SUOMI

1. Ennen käyttöä .....	2
1.1. Takuu .....	2
2. TectoPromo IS 1 Norwell .....	2
2.1. Varoitukset .....	2
2.2. Kalustetyypit .....	3
2.3. Rajoitukset .....	3
2.4. Pakkaus .....	4
2.5. Kuljetusvauriot .....	4
2.6. Asentaminen .....	4
2.7. Puhdistaminen ennen käyttöä .....	5
3. Sähköliitännät .....	5
4. Toiminta .....	6
4.1. Käynnistys .....	6
4.2. Kalusteen täyttäminen .....	6
4.3. Käyttötermostaatin säätäminen .....	6
4.4. Dixell XR40CX -ohjauslaite .....	6
4.4.1. Näytön ilmoitukset.....	7
4.4.2. Lämpötila-asetuksen tarkistaminen.....	7
4.5. Automaattinen sulatus .....	8
5. Puhdistus .....	8
5.1. Lauhduksen puhdistaminen .....	9
6. Sähkökatkokset .....	9
7. Vianetsintä .....	9
8. Huolto ja varaosat .....	10
9. Laitteiston poistaminen käytöstä .....	10

# 1. Ennen käyttöä

Lue nämä ohjeet huolellisesti. Ne kertovat miten kaluste voidaan asentaa, sijoittaa, käyttää ja huoltaa oikein ja turvallisesti.

Säilytä nämä ohjeet huolellisesti mahdollisia muita käyttäjiä varten.

Kalusteen asennus ja käyttöönotto on suoritettava valmistajan ohjeiden mukaisesti, paikallisia ohjeita ja määräyksiä noudattaen.

Mikäli kalusteeseen tai kalusteen laitteisiin tulee vika tai laitteen toiminta poikkeaa normaalista, varmista, että vaaratilannetta ei pääse syntymään. Tarvittaessa kytke kaluste pois päältä ja ota yhteys lähimpään huoltoliikkeeseen. Kaikkien kalusteen käyttäjien tulee perehtyä kalusteen oikeaan ja turvalliseen käyttöön.

## 1.1. Takuu

Kalusteelle myönnetään yhden (1) vuoden kestävyys- ja materiaalitakuu normaaliolosuhteissa (luokka 3).

Normaaliolosuhteet ovat enintään:

- ilman suhteellinen kosteus 60 % RH
- käyttöympäristön lämpötila +25 °C
- ilmavirtaus kalusteen edessä < 0,2 m/s

**Huomautus** Takuu ei kata rikkoutunutta lasia (rikkoutumissyystä riippumatta).



## 2. TectoPromo IS 1 Norwell

TectoPromo IS 1 Norwell on pakasteiden ja valmiiksi pakattujen tuotteiden esittelyyn ja tuotteiden vaatiman säilytyslämpötilan ylläpitämiseen tarkoitettu allas.

### 2.1. Varoitukset

**Varoitus**



Jos laitteistossa on käytetty kylmäaineena propaani R290:tä, laite on palovaarallinen. Propaanin mahdollinen käyttö on ilmoitettu kalustekilvessä ja koneistossa.

**Varoitus**



Älä estä koneiston ja kalusteen ilmanvaihtoa.

**Varoitus**



Älä yritä nopeuttaa sulatusta mekaanisesti.

**Varoitus** Älä vahingoita kylmäainepiiriä.



**Varoitus** Palovaaran vuoksi vain valtuutettu asentaja saa asentaa järjestelmän.



**Varoitus** Mitään sähkölaitteita ei saa asettaa kalusteen sisälle, ellei valmistaja ole sitä erityisesti hyväksynyt.



## 2.2. Kalustetyypit

TectoPromo IS 1 Norwell-kalusteita on kahta eri tyyppiä.

- Tyyppi C on kylmäallas (+2...+4 °C).
- Tyyppiä FC voidaan käyttää joko pakaste- tai kylmäaltaana lämpötila-asetuksesta riippuen (-23...-21 °C / +0...+2 °C). FC-malleja on saatavilla vain kannellisina. Älä poista kantta, jos laite on toiminnassa.

Kalusteen lämpötila on tehdasasetettu.

## 2.3. Rajoitukset

Kalusteen käyttö muulla tavalla, kuin tässä ohjeessa on mainittu, on kielletty. Kalusteessa ei saa säilyttää muita kuin kalusteen ohjeessa tai esitteessä mainittuja tuotteita.

Valmistaja ei ota vastuuta niistä tapahtumista, jotka saattavat syntyä ohjeiden vastaisesta käytöstä tai varoitusten ja ohjeiden noudattamatta jättämisestä.

**Huomautus** Kiipeäminen kalusteen sisään tai päälle on kielletty. Seisominen kalusteen minkään kohdan päällä on kielletty.



**Huomautus** Käsittele lasikantisia ja -ovisia kalusteita varovasti, ettet vahingoita käsiäsi tai saa muita vammoja.



**Huomautus** Käytä aina suojakäsineitä, kun käsittelet lämmitettäviä H-kalusteversioita, koska kalusteen sisäpinnat ovat kuumia.



**Huomautus** Kaluste on tarkoitettu käytettäväksi ainoastaan sisätiloissa.



**Huomautus** Tuuleta sisätilat, jos epäilet kylmäainevuotoa.



**Huomautus** Tulenarkojen tai vaarallisten nesteiden säilyttäminen kalusteessa on ehdottomasti kielletty.



## 2.4. Pakkaus

Kuljeta tai siirrä kaluste aina omassa pakkauksessaan lopulliselle sijoituspaikalleen asti, jos se vain on mahdollista. Pakkausmateriaalit ovat kierrätettäviä.

**Huomautus** Tämä osa koskee vain kalusteita, joissa kylmäaineena on R290: älä kytke virtaa kalusteeseen, jos epäilet, että kylmäaine on päässyt vuotamaan kuljetuksessa.



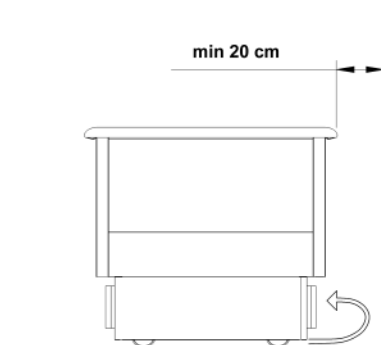
## 2.5. Kuljetusvauriot

Poista kaluste pakkauksesta ja tarkista se mahdollisten kuljetusvaurioiden varalta. Ilmoita vaurioista välittömästi vakuutusyhtiölle, tuotteen jälleenmyyjälle tai valmistajalle.

## 2.6. Asentaminen

1. Aseta kaluste paikalleen.

**Huomautus** Älä nosta kalustetta päällikehikosta, sillä se voi rikkoutua.

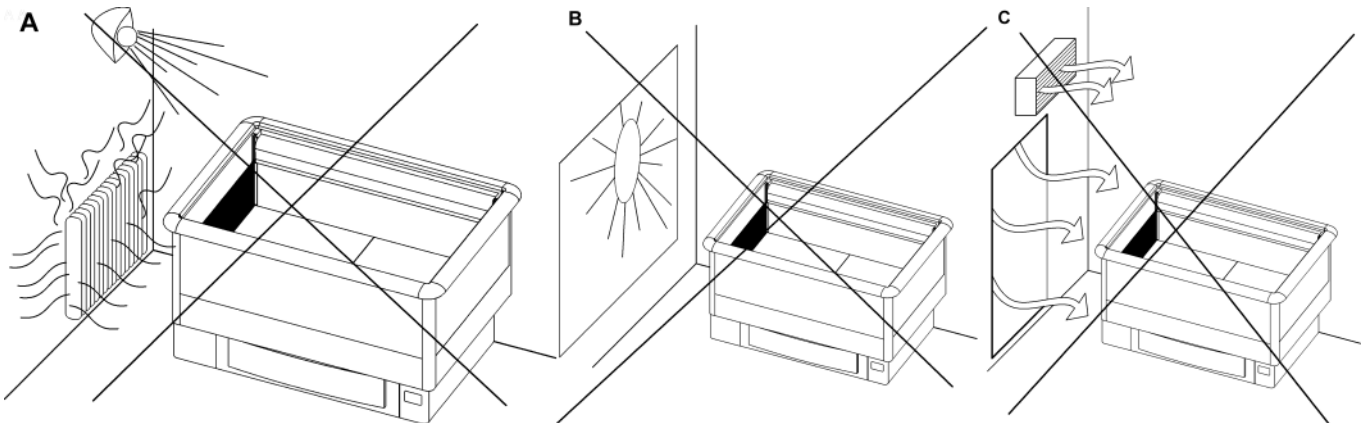


## 2. Varmista, että koneikon lauhtusilman saanti on esteetön.

Jätä kalusteen taakse vähintään 20 cm vapaa ilmarako.

Varmista seuraavat seikat kalustetta asentaessasi:

- Kalusteen asennuspaikan pitää olla tasainen ja vaakasuora.
- Kalusteen päälle ei saa asettaa esineitä.
- Kalustetta ei saa sijoittaa lämmönlähteen välittömään läheisyyteen (lämpöpatteri, lämminilmapuhallin tai kohdevalaisin). Katso *kuva A*.
- Kaluste ei saa olla alttiina suoralle auringonvalolle. Estä valontulo kaihtimilla, mikäli tämä on tarpeen. Katso *kuva B*.
- Ilmastointilaite ei saa puhalttaa kalusteeseen. Katso *kuva C*.



Kalusteen oikea sijoittelu mahdollistaa parhaat mahdolliset lämpötilaolosuhteet ja suorituskyvyn.

Kalusteet, jotka on varustettu rullilla/pyörillä voidaan kiinnittää takana olevaan seinään turvallisuuden vuoksi.

## 2.7. Puhdistaminen ennen käyttöä

1. Puhdista elintarvikkeiden säilytysalue miedolla nestemäisellä pesuaineella (pH 6 - 8) ennen kalusteen käyttöönottoa.

Noudata pesuaineen mukana toimitettuja ohjeita.

**Huomautus** Varmista, että kaikki käyttämäsi nesteet on luokiteltu myrkyttömiksi.



2. Kuivaa pinnat huolellisesti.

## 3. Sähköliitännät

**Huomautus** Kalusteessa oleva kuvio (salama kolmion sisällä) kertoo, että kannen alla on jännitteellisiä komponentteja ja johtimia. Jännitteelliseen tilaan saa koskea ainoastaan pätevä sähköasentaja.



Tarkista sulakekoko kalusteen tyyppikilvestä. Pistorasian on oltava maadoitettu, 16 A hitaan sulakkeen takana mallille TectoPromo IS 1 Norwell 190 ja 10 A hitaan sulakkeen takana muille TectoPromo IS 1 Norwellin malleille. Muita laitteita ei saa olla kytkettynä saman sulakkeen taakse.

**Huomautus** Vain pätevä asentaja saa tehdä sähkökytkentöjä. Henkilövahinkojen ja hengenvaaran välttämiseksi tulee sähköliitännöiden olla IEE - sekä paikallisten säädösten mukaisia.



## 4. Toiminta

Jäähdytys tapahtuu puhallinhöyrystinjärjestelmällä. Höyrystin sijaitsee kaapin allasosan pohjalla. Katso kalusteen valokytkimen sijainti *sisäkannen kuvasta 1*.



### 4.1. Käynnistys

1. Liitä pistotulppa pistorasiaan.  
Kalusteen kompressori ja puhaltimet käynnistyvät.
2. Odota 90 minuuttia tai kunnes kaluste saavuttaa halutun lämpötilan.  
Kaluste on nyt valmis täytettäväksi.

### 4.2. Kalusteen täyttäminen

- Sijoittele tuotteet huolella.
- Älä täytä kalustetta yli kalusteeseen merkittyjen täyttörajojen.  
Katso *sisäkannen kuva 2*.  
Ylitäyttö häiritsee kalusteen suunniteltua ilmankiertoa ja tuotteet lämpiävät.
- Älä pudota tai heitä tuotteita kalusteeseen.

**Huomautus** Kalustetta ei ole suunniteltu jäähdyttämään tuotteita, vaan ylläpitämään lämpötilaa, jossa tuotteet tuodaan kalusteeseen. Tuotteita, jotka ovat lämpimämpiä kuin kalusteen suunniteltu toimintalämpötila, ei saa asettaa kalusteeseen.

### 4.3. Käyttötermostaatin säätäminen

Kalusteen käyttötermostaatti sijaitsee koneilassa olevassa jakokotelossa. Koneilan kansi on jousikiinnitteinen. Termostaatti on tehdasasetettu oikeaan lämpötilaan.

FC-mallin toimintatilan kytkin (-/+) sijaitsee säätimen yläpuolella. Katso *sisäkannen kuva 1*.

FC-mallin toimintatila muutettava aina +/- kytkimen avulla.

### 4.4. Dixell XR40CX -ohjauslaite

**Huomautus** Ohjauslaitteen tyyppi riippuu käytettävästä kalusteesta.

XR40CX on kalusteiden elektroninen ohjauslaite.

#### 4.4.1. Näytön ilmoitukset

Normaalitilassa näytössä on sisälämpötila.



##### Sulatukseen liittyvät ilmoitukset



Sulatus käynnissä.

##### Hälytyssanomat anturivioista



Ohjausanturin vika. Ota yhteys huoltoon.



Vika höyryntimen anturissa. Ota yhteys huoltoon.



Vika tuotetila-anturissa. Ota yhteys huoltoon.



Vika lauhduttimen lämpötila-anturissa. Ota yhteys huoltoon.

##### Hälytyssanomat kalusteen toimintavioista (lauhduttimen yllämpö)



Kompressorit sammutettu yllämmön takia. Tarkista ensin lauhdutin ja puhdista se avaamalla kalusteen alaosan luukku ja tarvittaessa imuroimalla lauhdutin. Mikäli vikatilanne ei poistu, ota yhteyttä huoltoon.

#### 4.4.2. Lämpötila-asetuksen tarkistaminen

1. Paina lyhyesti SET-näppäintä.

Arvo näkyy näytössä.

Mikäli näppäimiä ei paineta viiteen (5) sekuntiin, normaali lämpötilanäyttö palautuu näyttöön.

## 4.5. Automaattinen sulatus

Kaluste on varustettu automaattisella sulatuksella. Säädin ohjaa kalusteen käyntijaksoja ja sulatusta. Sulatus tapahtuu yhden (1) kerran tai kolme (3) kertaa vuorokaudessa (sähkösulatus). Sulavesi johdetaan automaattisesti kuumakaasukierrolla toimivaan tai sähkölämmitteiseen haihdutusastiaan riippuen kalusteen mallista. Sulatuksen aikana kalusteen lämpötila nousee muutaman asteen.

## 5. Puhdistus

Kaluste pitää puhdistaa seuraavalla tavalla vähintään kaksi kertaa vuodessa.

**Huomautus** Kalustetta ei saa puhdistaa tuuletinten ollessa käynnissä. Tuulettimet pysäytetään kytkemällä kaluste irti sähköverkosta.

**Varoitus** Höyrystimissä, lauhduttimissa ja ruostumattomissa teräsosissa saattaa olla teräviä reunoja. Käytä työkaluneiteitä ja työskentele varovasti, jotta et saa niistä haavoja.



1. Kytke kaluste irti sähköverkosta tai käännä erillinen katkaisija siivousasentoon.
2. Tyhjennä kaluste tuotteista.
3. Anna kalusteen lämmitä ympäristön lämpötilaan.
4. Poista mahdolliset roskat.

Älä käytä hakkuuvasaroita tai teräväkärkisiä työkaluja poistaessasi jäätä höyrystimen pinnalta. Höyrystinkierukan vahingoittuminen saattaa aiheuttaa kylmäainevuodon.

5. Poista mahdollinen sulavesi.
6. Puhdista kalusteen sisäpinnat miedolla (myrkyttömällä, pH 6 - 8) pesuaineliuksella ja kuivaa pinnat huolellisesti puhtaalla pyyhkeellä.
7. Käynnistä kaluste puhdistamisen jälkeen.

Katso kohta *Käynnistys*.

Tarkista myös säännöllisesti, että:

- kalusteen käyntiääni on normaali,
- haihdutusastia on puhdas, ja
- imu- ja poistoritilät eivät ole tukossa tai likaiset.

**Huomautus** Puhdista sulavesikaukalo, joka sijaitsee konetilassa. Riittämätön tai liian harvoin tapahtuva puhdistus saattaa lyhentää sulavesisäiliön haihdutusvastuksen / kuumakaasuputken kestoikää. Pesuainejäämät on viipymättä puhdistettava kaukalosta.



**Huomautus** Kylmäainevuodon sattuessa kaikki kalusteessa olevat tuotteet on hävitettävä ja kaluste on sen jälkeen puhdistettava.



## 5.1. Lauhduttimen puhdistaminen

Tarkista lauhduttimen puhtaus kerran kuukaudessa ja tarvittaessa useammin.

Suorita tarvittaessa seuraavat toimenpiteet.

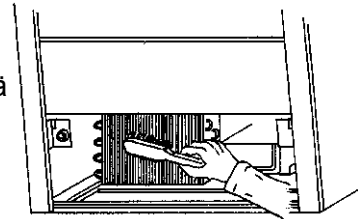
1. Imuroi lauhduttimen jäähdytinrivat ja varmista, että niiden välit eivät ole tukossa.
2. Vedä levyn yläreunasta ulospäin ja käännä se alaspäin oheisen kuvan mukaisesti.

Jos ohjauslaite ilmoittaa, että lauhdutinpaine on liian korkealla, tarkista lauhdutin ja puhdista tarvittaessa. Jos kaluste ei tämänkään jälkeen lähde käyntiin, ota yhteys huoltoon.



**Huomautus** Kun kaluste on kytkettynä irti sähköverkosta, haihdutusvastus tai pumppu ei ole toiminnassa ja sulavesikaukalo saattaa täytyä sulavasta jäädä tai pesuvedestä.

**Huomautus** Lauhdutinyksikkö sijaitsee tuotteen alaosassa.



## 6. Sähkökatkokset

Kaluste käynnistyy automaattisesti sähkökatkoksen jälkeen. Haihdutusastia saattaa vuotaa yli katkon aikana. Varmista, että kaluste toimii normaalisti sähkökatkoksen jälkeen. Ota tarvittaessa yhteys huoltoliikkeeseen.

## 7. Vianetsintä

Mikäli kalusteeseen tai kalusteen laitteisiin tulee vika tai laitteen toiminta poikkeaa normaalista, varmista, että vaaratilannetta ei pääse syntymään. Kytke kaluste tarvittaessa pois päältä ja ota yhteys huoltoliikkeeseen.

Ennen huoltomiehen kutsumista tarkista, että

- pistotulppa ei ole irronnut pistorasiasta ja sähkönjakelu toimii.
- kalusteelle varattu sulake on ehjä.
- kaluste on sijoitettu oikein.
- lauhdutin ei ole tukossa tai likainen.
- tuotteet on sijoitettu oikein kalusteeseen.
- kalusteen ilmanvirtaus ei ole estynyt.
- sulatus ei ole käynnissä (tarkista lämpömittari).

Ellei häiriön syy selviä, irrota kalusteen johto pistorasiasta ja ota yhteys huoltoliikkeeseen.

Tarkista säännöllisesti, että kalusteen käyntiääni on normaali, lauhdutin ja höyrystin ovat puhtaat, imu- ja poistoritilöihin ei ole kertynyt roskaa, pakkausjätteitä tai muuta vastaavaa ainetta estämään ilmankiertoa.

## 8. Huolto ja varaosat

Kalusteen tekniset tiedot on merkitty kalustekilpeen. Katso *sisäkansi*. Kun asioit valtuutetun huoltoliikkeen kanssa, ilmoita kalustekilpeen merkityt kalusteen tyyppi, nimi, numero ja Control-merkintä. Kalusteen koneilassa olevassa muovitaskussa löytyy sähkökytkentäkaavion lisäksi sarjaselvityslomake eli FAKTA-lomake, jossa on laitteessa käytettyjen komponenttien luettelo. Laitteen huoltovälit on määritelty huoltosopimuksessa.

**Huomautus** Kylmä- ja sähkölaitteiden huollon tai korjauksen saa suorittaa vain valtuutettu asentaja. Höyrystimen puhdistus on syytä jättää huollon tehtäväksi.



Suosittelemme käyttämään Viessmann Refrigeration Systems Oy:n varaosia.

## 9. Laitteiston poistaminen käytöstä

Kalusteen tultua käyttöikänsä loppuun on sen hävittämisessä noudatettava voimassa olevia paikallisia määräyksiä ja ohjeita. Ympäristölle haitallisten aineiden hävittäminen ja kierrätettävien materiaalien hyödyntäminen tapahtuu parhaiten käyttämällä apuna alan ammattilaisia.

**Varoitus** R290 on erittäin helposti syttyvä aine. Tämä osa koskee kalusteita, joissa kylmäaineena käytetään propaania R290.



# SVENSKA

<b>1. Innan du börjar</b> .....	2
<b>1.1. Garanti</b> .....	2
<b>2. TectoPromo IS 1 Norwell</b> .....	2
<b>2.1. Disktyper</b> .....	2
<b>2.2. Begränsningar</b> .....	2
<b>2.3. Förpackning</b> .....	3
<b>2.4. Transportskador</b> .....	3
<b>2.5. Installering</b> .....	4
<b>2.6. Rengöring före användning</b> .....	4
<b>3. Elektriska anslutningar</b> .....	5
<b>4. Drift</b> .....	5
<b>4.1. Starta upp</b> .....	5
<b>4.2. Påfyllning av disken</b> .....	5
<b>4.3. Inställning av driftstermostat</b> .....	6
<b>4.4. NRC-100-kontrollenhet</b> .....	6
4.4.1. Meddelanden.....	6
4.4.2. Kontrollera temperaturinställningar.....	7
<b>4.5. Dixell XR40CX kontrollenhet</b> .....	7
4.5.1. Meddelanden.....	7
4.5.2. Kontrollera temperaturinställningar.....	8
<b>4.6. Automatisk avfrostning</b> .....	8
<b>5. Rengöring</b> .....	9
<b>5.1. Rengöring av kondensator</b> .....	9
<b>6. Avbrott i spänningsmatningen</b> .....	10
<b>7. Felsökning</b> .....	10
<b>8. Service och reservdelar</b> .....	11
<b>8.1. Byte av lysrör</b> .....	11
<b>9. Skrotning av utrustning</b> .....	11

## 1. Innan du börjar

Läs dessa instruktioner noggrant. De förklarar hur disken ska monteras, placeras, användas och underhållas rätt och säkert.

Förvara instruktionerna på en säker plats och så att andra användare har tillgång till dem.

Disken måste installeras och köras igång enligt tillverkarens instruktioner och enligt lokala bestämmelser och regler.

Om ett fel uppkommer i disken eller diskutrustningen, eller om disken inte fungerar normalt, ska du kontrollera att den inte utgör någon fara för personer eller annan utrustning. Koppla vid behov bort disken och kontakta närmaste serviceverkstad. Alla som använder disken måste känna till hur disken ska användas korrekt och säkert.

### 1.1. Garanti

Alla diskar har en hållbarhets- och materialgaranti på ett (1) år under normala omgivningsförhållanden (klass 3).

Normala omgivningsförhållanden innebär följande:

- Relativ luftfuktighet högst 60 % RH
- Omgivningstemperatur högst +25 °C
- Luftflöde framför disken < 0,2 m/s

**Obs** Garantin omfattar inte krossat glas (vare sig detta är oavsiktligt eller ej).



## 2. TectoPromo IS 1 Norwell

TectoPromo IS 1 Norwell är en exponeringsdisk för djupfrys mat och färdigförpackade produkter som håller dessa produkter vid rätt lagringstemperatur.

### 2.1. Disktyper

TectoPromo IS 1 Norwell består av två olika disktyper.

- Typ C är en exponeringskyldisk (+2 till +4 °C).
- Typ FC kan tjänstgöra som antingen fryser eller kyl, beroende på temperaturinställningen (-23 till -21 °C / +0 till +2 °C). FC-modellerna finns endast med lock. Ta inte bort locken när enheten är i drift.

Skåpets temperatur ställs in på avsedd nivå på fabriken.

### 2.2. Begränsningar

Disken får inte användas på annat sätt än de som anges i dessa instruktioner. Endast produkter som anges i instruktionerna eller i diskens dokumentation får lagras i disken.

Tillverkaren tar inget ansvar för händelser som orsakas av att disken används i strid med dessa instruktioner, eller om användaren bortser från de varningar som ges eller om instruktionerna inte följs.

**Obs**



Det är förbjudet att klättra i disken eller ovanpå den. Det är förbjudet att stå på någon del av disken.

**Obs**



Hantera diskar med glaslock och glasdörrar försiktigt för att undvika skador på fingrar och andra skador.

**Obs**



Bär alltid skyddshandskar vid hantering av H-versionen, eftersom diskens innerytor är heta.

**Obs**



Disken är endast avsedd för inomhusbruk.

**Obs**



Vädra utrymmet vid misstanke om läcka av köldmedium.

**Obs**



Koppla ur disken från strömkällan innan du byter ut ljuskällorna. Lysrör får endast bytas av kvalificerade tekniker.

**Obs**



Det är strängt förbjudet att förvara lättantändliga eller farliga vätskor i disken.

## 2.3. Förpackning

Om möjligt, transportera eller flytta disken till uppställningsplatsen i originalförpackningen från fabriken. Förpackningsmaterialen kan återvinnas.

**Obs**



(Detta gäller diskar som använder R290 som köldmedium): slå inte på strömmen till disken om du misstänker att köldmediet har läckt under transporten.

## 2.4. Transportskador

Packa upp disken och kontrollera om det finns tecken på transportskador. Rapportera omedelbart alla skador till ditt försäkringsbolag, leverantören eller diskens tillverkare.

## 2.5. Installering

1. Placera disken på plats.

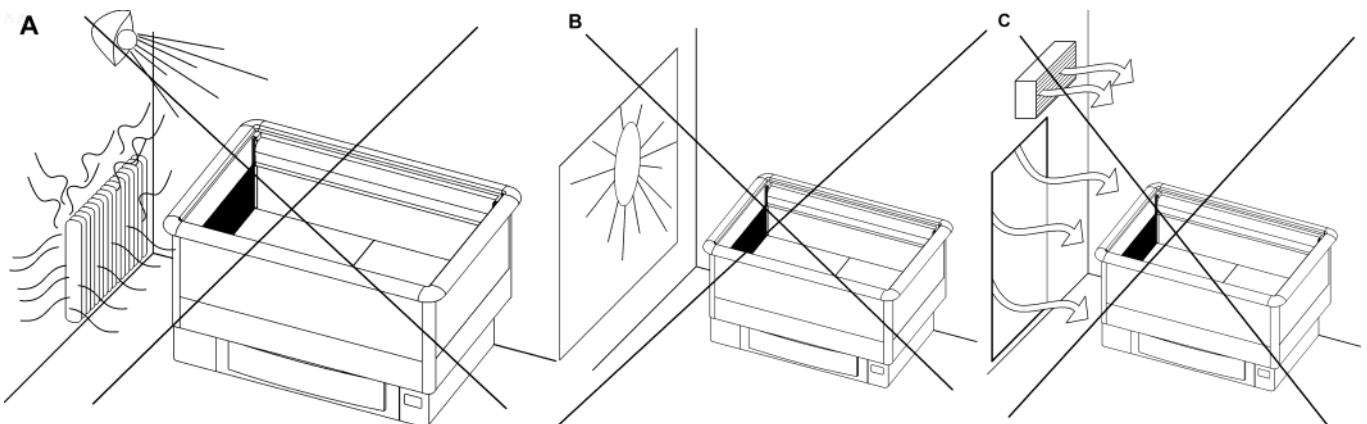
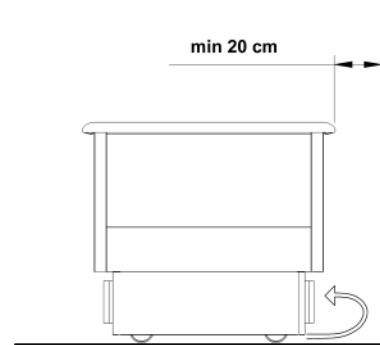
**Obs** Lyft inte disken i den övre ramen, eftersom den då kan gå sönder.

2. Se till att luftflödet till kondensatorn inte blockeras.

Lämna ett fritt utrymme på minst 20 cm bakom disken.

Kontrollera följande vid installering av disken:

- Att underlaget på vilket disken placeras är plant och rakt.
- Att inga objekt är placerade ovanpå disken.
- Att disken inte placeras nära en värmekälla, till exempel element, värmefläkt eller stark lampa. Se *bild A*.
- Att disken inte utsätts för direkt solljus. Installera vid behov persienner i närliggande fönster. Se *bild B*.
- Att lokalens luftkonditionering inte blåser mot disken. Se *bild C*.



En korrekt placering av disken ger optimala temperaturförhållanden och prestanda.

Diskar försedda med hjul kan som en säkerhetsåtgärd förankras i väggen bakom dem.

## 2.6. Rengöring före användning

1. Rengör diskens ytor och förvaringsutrymmet för livsmedel med ett mildt flytande rengöringsmedel (pH 6–8) innan disken används.

Följ de instruktioner som följer med rengöringsmedlet.

**Obs** Kontrollera att alla rengöringsvätskor är livsmedelsgodkända.



2. Torka ytorna noggrant.

### 3. Elektriska anslutningar

**Obs**

Symbolen på disken (en blixtnedslag i en triangel) betyder att det finns komponenter och ledningar under höljet som är spänningsförande. Endast personal som är behörig att montera och underhålla elektrisk utrustning får arbeta med spänningsförande delar.

Kontrollera säkringens spänning och storlek på märkskylten som finns på disken. För TectoPromo IS 1 Norwell 190 ska uttaget vara jordat och säkrat med en 16 A trög säkring och för de övriga TectoPromo IS 1 Norwell-modellerna ska en 10 A trög säkring användas. Ingen annan utrustning får anslutas till samma säkring.

**Obs**

Alla elektriska anslutningar ska utföras av behörig/kvalificerad personal enligt lagar och lokala bestämmelser. Underlåtenhet att följa detta kan leda till personskador eller dödsfall.

### 4. Drift

Kylning uppnås genom ett system bestående av fläkt och förångare. Förångaren är placerad i botten av diskens tråg.

Se *bild 1 på innerhöljet* för placeringen av diskens ljuskontakt.



#### 4.1. Starta upp

1. Anslut stickkontakten till vägguttaget.  
Kompressorn och fläktar startar.
2. Vänta 90 minuter eller till önskad temperatur är nådd.  
Disken kan nu fyllas.

#### 4.2. Påfyllning av disken

- Placera innehållet noggrant.
- Produkterna får inte placeras ovanför de lastlinjer som är markerade i disken.

Se *bild 2 på innerhöljet*.

Ett överskridande av lastlinjerna leder till att luftflödet störs eller att produkternas temperatur ökar.

- Tappa eller kasta inte ner produkter i disken.

**Obs**

Disken är inte konstruerad för att kyla ner produkter utan för att bibehålla dem vid den temperatur de har när de placeras i disken. Matprodukter som är varmare än den angivna temperaturen bör inte placeras i disken.

### 4.3. Inställning av driftstermostat

Diskens driftstermostat sitter i kopplingsboxen i maskinutrymmet. Maskinutrymmets lucka är fjäderbelastad. Termostatens temperatur är förinställd på fabriken.

På FC-modellen sitter F/C-brytaren (-/+ ) ovanför kontrollenheten. Se *bild 1 på innerhöljet*.

På FC-modellen måste driftsläget väljas med brytaren -/+.

### 4.4. NRC-100-kontrollenhet

**Obs** Typ av kontrollenhet beror på disken.

NRC-100 är en diskkontrollenhet som automatiskt styr diskens temperatur och avfrostning med hjälp av en termostat och en temperaturgivare.

#### 4.4.1. Meddelanden

I normalläget anges disktemperaturen på displayen.



#### Avfrostningsmeddelanden



Avfrostning pågår.



Pull down. Nedkyllning tills förväntad temperatur uppnås.



Väntar på andra diskar vid synkronisering av avfrostningen.

#### Alarmmeddelanden vid givarfel



fel i termostatgivaren. Kontakta service.



fel i avfrostningsgivaren. Kontakta service.



fel i disktemperaturgivaren. Kontakta service.



fel i kondensorgivaren. Kontakta service.



fel i kondensorgivare. Kontakta service.

### Alarmmeddelanden diskfel (kondensatoröverhettning)



Säkerhetsbrytaren är på och diskbelysningen av (alarmsignal). Kontrollera kondensorn först och rengör den vid behov genom att öppna luckan i basen och dammsuga kondensorn. Tryck på FNC-knappen eller stäng av disken och sätt därefter på den igen.



Disken är avstängd på grund av överhettning. Kontrollera kondensorn först och rengör den vid behov genom att öppna luckan i basen och dammsuga kondensorn. Kontakta service om felet inte avhjälps.

#### Obs



8888 eller annan ovanlig signal på displayen kan tyda på ett startfel. Koppla bort disken från elnätet och återanslut den. Kontakta service om enheten inte startar på normalt sätt.

#### 4.4.2. Kontrollera temperaturinställningar

1. Tryck snabbt på FNC-knappen.  
Texten SEtt visas på displayen.
2. Tryck på OK-knappen.  
Inställningsvärdet visas på displayen.
3. Tryck på FNC igen för att återgå till normal visning.  
Normal visning av temperatur visas även igen om du inte rör knapparna på fem (5) minuter.

### 4.5. Dixell XR40CX kontrollenhet

**Obs** Typ av kontrollenhet beror på disken.

XR40CX är en diskkontrollenhet som automatiskt styr diskens temperatur och avfrostning med hjälp av en termostat och en temperaturgivare.

#### 4.5.1. Meddelanden

I normalläget anges disktemperaturen på displayen.



### Avfrostningsmeddelanden



Avfrostning pågår.

### Alarmmeddelanden vid givarfel



Fel i termostatgivaren. Kontakta service.



Fel i avfrostningsgivaren. Kontakta service.



Fel i kondensatorgivaren. Kontakta service.



Fel i disktemperaturgivaren. Kontakta service.

### Alarmmeddelanden diskfel (kondensatoröverhettning)



Disken är avstängd på grund av överhettning. Kontrollera kondensatorn först och rengör den vid behov genom att öppna luckan i basen och dammsuga den. Kontakta service om felet inte avhjälpas.

## 4.5.2. Kontrollera temperaturinställningar

1. Tryck snabbt på SET-knappen.

Inställningsvärdet visas på displayen.

Normal visning av temperatur visas även igen om du inte rör någon knapp på fem (5) sekunder.

## 4.6. Automatisk avfrostning

Denna disk är utrustad med automatisk avfrostning. Enheten kontrollerar användningsperioder och avfrostningsprocessen. Avfrostning görs en (1) eller tre (3) gånger om dagen (elektrisk avfrostning). Vatten från avfrostningen leds automatiskt till ett avdunstningstråg med förångare eller till ett elektriskt uppvärmt avdunstningskärl, beroende på modell. Temperaturen i disken ökar med några grader under avfrostningen.

## 5. Rengöring

Följande rengöringsprocedur måste utföras minst två gånger per år.

**Obs** Disken får inte rengöras medan fläktarna är igång. Koppla bort disken från strömförsörjningen så att fläktarna står stilla.

**Varning** Förångare, kondensorer och delar som är tillverkade av rostfritt stål kan ha vassa kanter. Bär skyddshandskar och var försiktig för att undvika skärskador.



1. Koppla bort disken från elnätet (eller sätt den separata strömbrytaren i rengöringsläge).
2. Töm disken.
3. Vänta tills disken nått omgivningstemperatur.
4. Ta bort allt löst skräp.

Använd inte hackor eller vassa verktyg för att avlägsna is från förångaren. En skadad rörslinga kan leda till köldmedelläckage.

5. Kontrollera om det finns kondensvatten och torka bort vid behov.
6. Rengör diskens innerytor med ett mildt flytande rengöringsmedel (livsmedelsgodkänt, pH-värde 6-8) och torka av ytorna noggrant med en ren trasa.
7. Starta disken på nytt efter avslutad rengöring.

Se avsnittet *Starta upp*.

Kontrollera regelbundet också att

- diskens driftljud är normalt,
- att förångaren är ren och
- att inlopps- och utloppsgallren inte är igensatta.

**Obs** Rengör förångarkärlet som sitter inuti maskinutrymmet. Felaktig utförd rengöring eller om rengöringen utförs för sällan kan förkorta livslängden för elvärmare och varma lufrör till förångaren. Rester av rengöringsmedel måste omedelbart torkas bort från tråget.



**Obs** Om en rengöringsmedelsläcka skulle uppstå måste alla produkter i disken flyttas och disken ska göras ren.



### 5.1. Rengöring av kondensator

Kontrollera en gång i månaden, eller oftare om det behövs, att kondensatorn är ren.

Genomför följande vid behov:

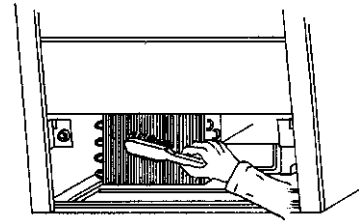
1. Dammsug kondensatorns flänsar och kontrollera att utrymmena mellan dem är fria.
2. Lyft plattan uppåt och dra den övre kanten utåt för att ta bort den (se bifogad ritning).

Om kontrollenheten indikerar högt kondensatortryck, kontrollera kondensatorn och vid behov, rengör den. Kontakta service om disken fortfarande inte fungerar normalt.



**Obs** När disken kopplas bort från huvudmatningen kommer sumpvärmaren och pumpen inte att fungera, varefter avloppsvatten eller rengöringsvätska kan fylla avdunstningskärlet.

**Obs** Kondensatorenheten är placerad längst ned i disken.



## 6. Avbrott i spänningsmatningen

Disken startar automatiskt efter strömavbrott eller annat avbrott i spänningsmatningen. Avdunstningskärlet kan rinna över under ett strömavbrott. Kontrollera att disken fungerar normalt efter ett strömavbrott. Kontakta närmaste serviceverkstad vid behov.

## 7. Felsökning

Om ett fel uppkommer i disken eller diskutrustningen, eller om disken inte fungerar normalt, ska du kontrollera att den inte utgör någon fara för personer eller annan utrustning. Koppla vid behov bort disken och kontakta närmaste serviceverkstad.

Innan servicepersonal tillkallas ska du kontrollera att

- stickkontakten sitter ordentligt i vägguttaget och att spänningsmatningen fungerar.
- diskens säkring inte har löst ut.
- disken är rätt placerad.
- kondensatorn inte är blockerad eller smutsig.
- produkterna är rätt placerade i disken.
- luftflödet i disken är fritt.
- avfrostning inte pågår, se termometern.

Om felorsaken inte kan hittas, ska du bryta spänningsmatningen till disken och kontakta servicepersonal.

Kontrollera med jämna mellanrum att diskens driftljud är normalt, att kondensorn och förångaren är rena och att inlopps- och utloppsgallren inte är igensatta av löst skräp eller liknande.

## 8. Service och reservdelar

Diskens specifikationer anges på märkskylten, se *innerhöljet*. Informera servicepersonalen om diskens typ, namn, serienummer och kontrollmärken på skylten. Ett kopplingschema och en lista över tekniska specifikationer (FAKTA) inklusive en komponentlista finns i diskens maskinutrymme. Diskens serviceperioder anges i servicekontraktet.

**Obs**

Endast auktoriserad personal får utföra service och reparationer på diskens maskineri och elektriska utrustning. Förångaren ska rengöras av auktoriserad servicepersonal.

Vi rekommenderar att Viessmann Refrigeration Systems Oy reservdelar används.

### 8.1. Byte av lysrör

1. Koppla bort lysröret från elnätet.
2. Avlägsna lysrörets skydd.
3. Skruva bort lysröret från lamphållaren.
4. Skruva fast det nya lysröret och sätt tillbaka skyddet.

## 9. Skrotning av utrustning

När disken nått slutet av sin ekonomiska livslängd, ska den omhändertas enligt gällande lokala föreskrifter och anvisningar. Rådgivning om omhändertagande av miljöfarliga ämnen och återvinningsbara material kan fås från expertis inom området.

**Varning**

R290 är mycket lättantändligt. Detta gäller diskar som använder propan R290 som köldmedium.



# NORSK

<b>1. Før du begynner</b> .....	2
<b>1.1. Garanti</b> .....	2
<b>2. TectoPromo IS 1 Norwell</b> .....	2
<b>2.1. Advarsler</b> .....	2
<b>2.2. Disktyper</b> .....	3
<b>2.3. Feil bruk</b> .....	3
<b>2.4. Emballasje</b> .....	4
<b>2.5. Skade under transport</b> .....	4
<b>2.6. Plassering</b> .....	4
<b>2.7. Rengjøring før bruk</b> .....	5
<b>3. Elektriske koblinger</b> .....	5
<b>4. Drift</b> .....	6
<b>4.1. Oppstart</b> .....	6
<b>4.2. Fulle kuldemøbelet</b> .....	6
<b>4.3. Stille inn driftstermostaten</b> .....	6
<b>4.4. Dixell XR40CX-kontrollenhet</b> .....	7
4.4.1. Displaymeldinger.....	7
4.4.2. Kontroll av temperaturinnstillinger.....	8
<b>4.5. Automatisk avriming</b> .....	8
<b>5. Rengjøring</b> .....	8
<b>5.1. Rengjøre kondensatoren</b> .....	9
<b>6. Brudd i strømkilden</b> .....	9
<b>7. Feilsøking</b> .....	10
<b>8. Service og reservedeler</b> .....	10
<b>9. Avhending av utstyr</b> .....	10

## 1. Før du begynner

Les denne bruksanvisningen nøye. Den beskriver riktig og sikker installasjon, plassering, bruk og vedlikehold av kuldemøbelet.

Oppbevar bruksanvisningen på et trygt sted, tilgjengelig for andre brukere.

Kuldemøbelet skal installeres og startes i henhold til produsentens anvisninger og i overensstemmelse med lokale bestemmelser og regler.

Hvis det oppstår en feil i kuldemøbelet eller utstyret, eller hvis møbelet ikke fungerer som det skal, må du kontrollere at dette ikke medfører risiko for personer eller utstyr. Koble fra kuldemøbelet om nødvendig, og ta kontakt med nærmeste serviceleverandør. Alle brukere må få opplæring i korrekt og sikker bruk av kuldemøbelet.

### 1.1. Garanti

Alle diskene har ett (1) års holdbarhets- og materialgaranti ved bruk under normale driftsforhold (klasse 3).

Verdiene for normale driftsforhold må ikke overstige:

- 60 % relativ luftfuktighet
- +25 °C romtemperatur
- < 0,2 m/s luftstrøm foran

**Merk** Garantien omfatter ikke skade/brudd på glass som skyldes uhell eller andre forhold.



## 2. TectoPromo IS 1 Norwell

TectoPromo IS 1 Norwell er en kjøle- og frysedisk for frossenmat og ferdigemballerte produkter som opprettholder den påkrevde lagringstemperaturen for disse produktene.

### 2.1. Advarsler

**ADVARSEL** Dersom maskineriet inneholder R290-propan, er det brannfarlig. Propaninnholdet er oppgitt på typeskiltet og maskineriet.



**ADVARSEL** Ikke hindre luftstrømmen i maskineriet eller kuldemøbelet.



**ADVARSEL** Ikke fremskynd avrimingen mekanisk.



**ADVARSEL** Ikke skad kjølekretsen.



**ADVARSEL** Av hensyn til brannfaren må kun en kvalifisert tekniker montere systemet.



**ADVARSEL** Ikke noe elektrisk utstyr skal plasseres i kuldemøbelet med mindre det er spesifikt godkjent av produsenten.



## 2.2. Disktyper

TectoPromo IS 1 Norwell har to ulike disktyper.

- Type C er en åpen kjøledisk (+2...+4 °C).
- Type FC kan være enten fryse- eller kjøledisk, avhengig av temperaturinnstilling (-23...-21 °C / +0...+2 °C). FC-modellene fås kun med lokk. Ikke fjern lokkene når enheten er i drift.

Temperaturen i disken blir fabrikkinnstilt til påkrevd nivå.

## 2.3. Feil bruk

Det er kun tillatt å bruke kuldemøbelet som angitt i denne bruksanvisningen. Kun produkter som er angitt i denne bruksanvisningen eller i håndboken for kuldemøbelet, kan oppbevares i møbelet.

Produsenten er ikke erstatningsansvarlig for skader som oppstår som følge av bruk som er i strid med denne bruksanvisningen, som ikke tar hensyn til advarslene i denne bruksanvisningen, eller som ikke er i overensstemmelse med denne bruksanvisningen.

**Merk** Det er forbudt å klatre ned i eller oppå kuldemøbelet. Det er forbudt å stå på kuldemøbelet.



**Merk** Håndter kuldemøbler med glasslokk og -dører forsiktig for å unngå fingerskader eller andre skader.



**Merk** Bruk alltid vernehansker ved håndtering av H-versjon, ettersom overflatene inni møbelet er varme.



**Merk** Kuldemøbelet er kun ment for innendørs bruk.



**Merk** Ventiler lokalet hvis du mistenker kjølemiddellekkasje.



**Merk**

Det er strengt forbudt å oppbevare brennbare eller farlige væsker i kuldemøbelet.



## 2.4. Emballasje

Kjøledisken skal alltid transporteres eller flyttes i den originale fabrikkemballasjen, så langt dette er mulig. Emballasjematerialet kan resirkuleres.

**Merk**

(Dette gjelder disker med R290 som kjølemiddel): Ikke skru på strømmen til disken hvis du mistenker at det har oppstått en lekkasje av kuldemedie under transport.



## 2.5. Skade under transport

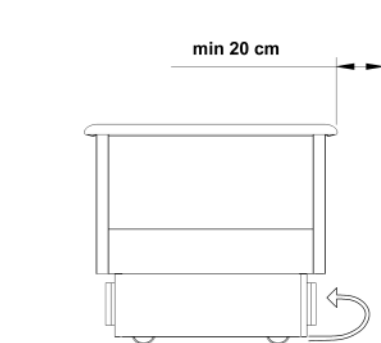
Fjern emballasjen og kontroller om det har oppstått skade på kuldemøbelet under transport. Meld umiddelbart fra til forsikringselskapet, leverandøren eller produsenten dersom det har oppstått skade på kuldemøbelet.

## 2.6. Plassering

1. Sett kuldemøbelet på plass.

**Merk**

Ikke løft møbelet i den øverste listen, den kan gå i stykker.

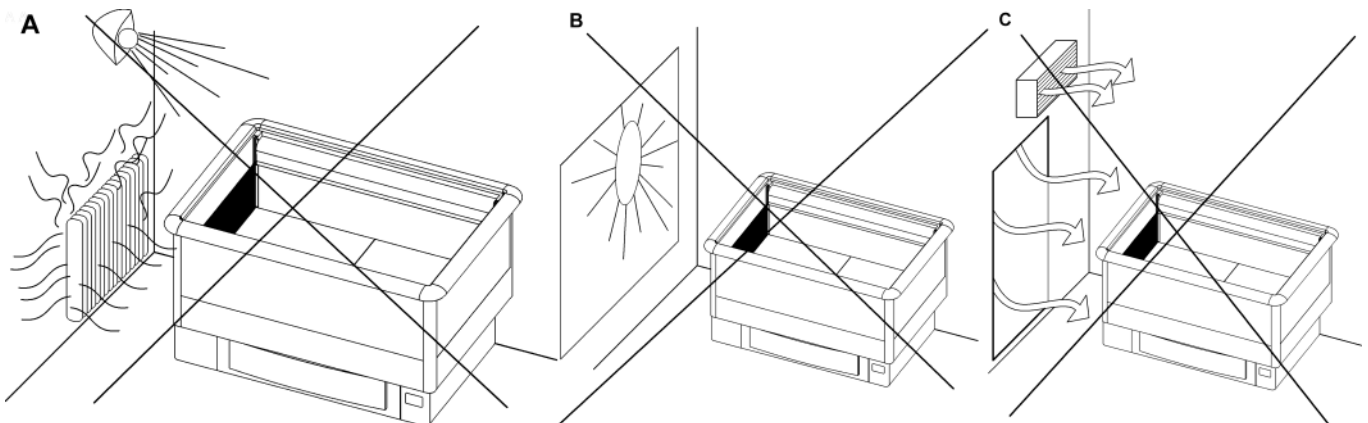


## 2. Kontroller at luftstrømmen til kondensatoren ikke er blokkert.

Det skal være en klaring på minst 20 cm bak møbelet.

Når du monterer kuldemøbelet, må du kontrollere følgende:

- Kuldemøbelet står på et flatt og jevnt underlag.
- Ingen gjenstander ligger oppå kuldemøbelet.
- Kuldemøbelet står ikke i nærheten av en varmekilde, f.eks. radiator, vifteovn eller spotlys. Se *figur A*.
- Kuldemøbelet er ikke utsatt for direkte sollys. Bruk om nødvendig persienner i vinduer. Se *figur B*.
- Klimaanlegget i lokalet blåser ikke luft direkte mot kuldemøbelet. Se *figur C*.



Riktig plassering av kuldemøbelet gir optimale temperaturforhold og god ytelse.

Kuldemøbler med trinser/hjul kan forankres til veggen bak dem som en sikkerhetsforanstaltning.

## 2.7. Rengjøring før bruk

1. Rengjør oppbevaringsrommet med et mildt rengjøringsmiddel (pH 6–8) før du tar kuldemøbelet i bruk.

Følg bruksanvisningen for rengjøringsmiddelet.

**Merk** Påse at alle rengjøringsmidler er uten giftstoffer.



2. Tørk forsiktig av overflatene.

## 3. Elektriske koblinger

**Merk**



Symbolet som står avmerket på kuldemøbelet (et lynsymbol inne i en trekant), angir at det finnes strømførende komponenter og ledninger under dekslet. Kun personer som er kvalifisert til å installere og vedlikeholde elektrisk utstyr, skal ha tilgang til strømførende områder.

Merkeplaten på kjøledisken angir hva slags sikring som skal brukes. Kontakten må være jordet og beskyttet ved hjelp av en 16 A treg sikring for TectoPromo IS 1 Norwell 190 og ved hjelp av en 10 A treg sikring for andre TectoPromo IS 1 Norwell-modeller. Andre apparater skal ikke være tilknyttet den samme sikringen.

**Merk**

Alle elektriske koblinger skal utføres av godkjent/kvalifisert personell og oppfylle alle internasjonale og lokale bestemmelser. I motsatt fall kan det oppstå alvorlig eller livstruende personskade.

## 4. Drift

Kjøling oppnås med et viftefordampningssystem. Fordampningsenheten er plassert på bunnplaten på kuldemøbelet.

Se figur 1 på innsiden av omslaget for plasseringen av kuldemøbelets lysbryter.



### 4.1. Oppstart

1. Sett støpslet inn i kontakten.  
Kompressoren og viftene settes i gang.
2. Vent i 90 minutter eller til ønsket temperatur er nådd.  
Kuldemøbelet er nå klart til påfylling.

### 4.2. Fylle kuldemøbelet

- Sett produktene forsiktig inn i møbelet.
- Produktene må ikke overskride kapasitetsgrensen avmerket i kuldemøbelet.

Se figur 2 på innsiden av omslaget.

Hvis kapasitetsgrensen overskrides, vil det blokkere luftstrømmen og føre til at produkttemperaturen stiger.

- Ikke slipp eller kast produkter ned i kuldemøbelet.

**Merk**

Kuldemøbelet er ikke beregnet på nedkjøling av produkter, men skal opprettholde temperaturen produktene har på det tidspunkt de settes inn i møbelet. Matvarer som er varmere enn den angitte temperaturen, skal ikke plasseres i kuldemøbelet.

### 4.3. Stille inn driftstermostaten

Driftstermostaten i kuldemøbelet er plassert i klemmeboksen i maskinhuset. Deksløst til maskinhuset er festet med en fjærmekanisme. Termostaten er fabrikkinnstilt til korrekt temperatur.

På FC-modellen sitter bryteren for frys/kjøøl (F/C, -/+ ) over kontrollere. Se figur 1 på innsiden av omslaget.

På FC-modellen må driftsmodusen velges med pluss/minus-bryteren (-/+).

## 4.4. Dixell XR40CX-kontrollenhet

**Merk** Typen kontrollenhet er avhengig av kuldemøbelet.  
XR40CX er en elektronisk kuldemøbelkontroller.

### 4.4.1. Displaymeldinger

Ved normal status viser displayet temperaturen i kuldemøbelet.



#### Avrimings signaler



Avriming pågår.

#### Alarmsignaler ved sensorsvikt



Sensorsvikt styreenhet. Kontakt service.



Sensorsvikt fordampningsenhet. Kontakt service.



Sensorsvikt kuldemøbel. Kontakt service.



Sensorsvikt kondensator temperatur. Kontakt service.

#### Alarmsignaler ved kuldemøbelfeil (overopphetet kondensator)



Kompressorene er slått av på grunn av overoppheting. Kontroller kondensatoren først, og rengjør den ved å åpne luken i sokkelen og eventuelt støvsuge kondensatoren. Hvis feilen fortsetter, ta kontakt med service.

#### 4.4.2. Kontroll av temperaturinnstillinger

1. Trykk raskt på SET-knappen.

Settpunkt-verdien vises på displayet.

Vanlig temperaturvisning kommer også tilbake igjen hvis du ikke har trykket på noen knapp på fem (5) sekunder.

#### 4.5. Automatisk avriming

Kuldemøbelet er utstyrt med en automatisk avrimingsenhet. Enheten styrer driftstider og avrimingprosessen. Avriming gjøres én (1) eller tre (3) ganger per dag (elektrisk avriming). Avløpsvannet fra avrimingen føres automatisk enten til et varmgass eller elektrisk oppvarmet fordampningskar, avhengig av kuldemøbel-modellen. Temperaturen i kuldemøbelet øker med noen få grader under avriming.

### 5. Rengjøring

Følgende rengjøringsprosedyre må gjennomføres minst to ganger i året.

**Merk** Disken må ikke rengjøres mens viftene går. For å stoppe viftene, koble fra strømkilden på disken.

**ADVARSEL** Kjøleelementer, kondensatorer og deler som er laget av rustfritt stål kan ha skarpe kanter. Bruk vernehansker og vær forsiktig mens du arbeider for å unngå å skjære deg.



1. Koble kuldemøbelet fra strømkilden eller vri den separate bryteren til rengjøringsposisjonen.
2. Tøm kuldemøbelet.
3. Vent til møbelet har nådd romtemperatur.
4. Fjern eventuelle produktrester.

Ikke bruk ishaker eller skarpe verktøy til å fjerne is fra kjøleelementet. Skade på spolen kan føre til lekkasje av kjølemiddel.

5. Sjekk for avløpsvæske, og fjern eventuell væske.
6. Rengjør overflatene innvendig med et mildt rengjøringsmiddel (uten giftstoffer, med en pH-verdi på mellom 6–8). Tørk forsiktig av overflatene med et rent håndkle.

7. Start kuldemøbelet på nytt når rengjøringen er fullført.

Se avsnitt *Oppstart*.

Kontroller også med jevne mellomrom

- at lyden til kuldemøbelet ikke har endret seg,
- at kjøleelementet er rent og
- at inntaks- og avløpsristene ikke er blokkert eller tilsmusset.

**Merk**



Rengjør fordampningskaret i maskinhuset. Utilstrekkelig eller sjelden rengjøring kan forkorte levetiden for fordampningskarets elektriske varmer / varme gassrør. Rester av rengjøringsmiddel på brettet må rengjøres umiddelbart.

**Merk**



Dersom det skulle oppstå en lekkasje av kjølemiddel, må alle produkter som stilles ut i disken avhendes og disken må rengjøres.

## 5.1. Rengjøre kondensatoren

Kontroller at kondensatoren er ren minst én gang i måneden eller oftere ved behov.

Gjør følgende ved behov:

1. Støvsug kondensatorribbene, og kontroller at det ikke er kommet fremmedlegemer inn mellom ribbene.
2. Trekk den øvre kanten av platen utover, og snu den nedover, som vist på illustrasjonen.

Hvis kontrollenheten indikerer at det er høyt trykk i kondensatoren, sjekk kondensatoren og rengjør den om nødvendig. Hvis kuldemøbelet ikke virker etter denne prosedyren, kontakt service.

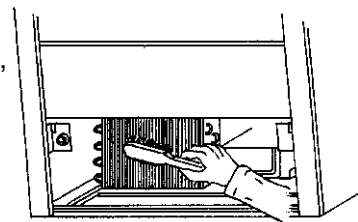


**Merk**

Når kuldemøbelet er koblet fra strømkilden, fungerer ikke fordampningsenheten eller pumpen, og avløpsvann eller rengjøringsmidler kan fylle fordampningskaret.

**Merk**

Kondensatoren er plassert nederst på kuldemøbelet.



## 6. Brudd i strømkilden

Kjøledisken starter automatisk opp igjen etter et strømbrudd eller etter avbrudd i strømtilførselen. Strømbrudd kan føre til at fordampningskaret oversvømmes. Etter strømbrudd må du kontrollere at kjøledisken fungerer som den skal. Kontakt om nødvendig din nærmeste serviceleverandør.

## 7. Feilsøking

Hvis det oppstår en feil i kuldemøbelet eller utstyret, eller hvis møbelet ikke fungerer som det skal, må du kontrollere at dette ikke medfører risiko for personer eller utstyr. Koble fra møbelet om nødvendig, og ta kontakt med nærmeste serviceleverandør.

Kontroller følgende før du tar kontakt med serviceleverandøren:

- at støpslet ikke er blitt trukket ut av kontakten, og at strømforsyningen fungerer som den skal
- at sikringen til kuldemøbelet ikke er gått
- at kuldemøbelet er riktig plassert
- at kondensatoren ikke er blokkert eller tilsmusset
- at produktene er plassert riktig i kuldemøbelet
- at luftstrømmen i kuldemøbelet ikke hindres
- at avriming ikke pågår (se termometer)

Hvis årsaken til feilen ikke kan identifiseres, kobler du fra strømtilførselen til kuldemøbelet og kontakter serviceleverandøren.

Kontroller jevnlig at lydnivået til møbelet under drift er normalt, at kondensator og kjøleelement er rene, og at luftsirkulasjonen gjennom luftinntak og luftavløp ikke hindres av matrester, emballasje, e.l.

## 8. Service og reservedeler

Spesifikasjonene for disken står oppgitt på merkeplaten se *innsiden av omslaget*. Informer serviceleverandøren om disktype og -navn, -serienummer og -kontrollmerker. Opplysningene står på merkeplaten. Inne i maskinhuset i disken er det en plastlomme med et koblingsskjema og en liste over tekniske spesifikasjoner (FAKTA), inkludert en komponentliste. Serviceintervallene for kjøledisken er definert i servicekontrakten.

### Merk



Service og reparasjon av maskineriet og det elektriske utstyret i kjøledisken skal kun utføres av en autorisert installatør. Kjøleelementet skal rengjøres av godkjent servicepersonell.

Vi anbefaler å bruke reservedeler fra Viessmann Refrigeration Systems Oy.

## 9. Avhending av utstyr

Når endt levetid er oppnådd, må kuldemøbelet avhendes i henhold til lokale bestemmelser og regler. Ta kontakt med fagpersoner ved avhending av miljøskadelige stoffer, og ved bruk av resirkulerbare materialer.

**ADVARSEL** R290 er svært brennbar, dette gjelder for kjøledisker som bruker R290-propan som kjølemiddel.



# DANSK

1. Inden du starter .....	2
1.1. Garanti .....	2
2. TectoPromo IS 1 Norwell .....	2
2.1. Advarsler .....	2
2.2. Skabsmodeller .....	3
2.3. Begrænsninger .....	3
2.4. Emballage .....	4
2.5. Transportskade .....	4
2.6. Installation .....	4
2.7. Rengøring før brug .....	5
3. Elektriske forbindelser .....	5
4. Drift .....	6
4.1. Opstart .....	6
4.2. Fyldning af skabet .....	6
4.3. Indstilling af driftstermostaten .....	6
4.4. Dixell XR40CX-styreenhed .....	7
4.4.1. Skærmeddelelser.....	7
4.4.2. Kontrol af temperaturindstillinger.....	8
4.5. Automatisk afrimning .....	8
5. Rengøring .....	8
5.1. Rengøring af kondensatoren .....	9
6. Forstyrrelser i elforsyningen .....	9
7. Fejlsøgning .....	10
8. Eftersyn og reservedele .....	10
9. Bortskaffelse af udstyr .....	10

## 1. Inden du starter

Læs vejledningen omhyggeligt. Den forklarer, hvordan skabet installeres, placeres, anvendes og vedligeholdes på korrekt og sikker vis.

Gem vejledningen et sikkert sted, hvor den er tilgængelig for andre brugere.

Skabet skal installeres og startes op i overensstemmelse med producentens vejledning samt lokale regler og retningslinjer.

Hvis skabet eller skabets udstyr er defekt, eller skabet ikke fungerer normalt, skal du sikre, at det ikke medfører fare for mennesker eller ejendom. Frakobl skabet om nødvendigt, og kontakt den nærmeste serviceafdeling. Alle brugere af skabet skal vide, hvordan skabet bruges på korrekt og sikker vis.

### 1.1. Garanti

Hvert skab har (1) års garanti på levetid og materialer under normale rumforhold (klasse 3).

Normale rumforhold må ikke overskride:

- Relativ fugtighed 60 % RF
- Rumtemperatur +25° C
- Luftstrømning til fronten < 0,2 m/s

**Bemærk** Garantien gælder ikke skade forårsaget på glas ved ulykke eller på anden måde.



## 2. TectoPromo IS 1 Norwell

Nowell er et displayskab, der er beregnet til frostvarer og færdigpakkede fødevarer, og opretholder den nødvendige opbevaringstemperatur for disse varer.

### 2.1. Advarsler

**Pas på** Hvis maskineriet indeholder propan R290, er der brandfare. Propanindholdet er angivet på mærkepladen og maskinen.



**Pas på** Sørg for, at intet forhindrer luftgennemstrømningen i maskineriet og skabet.



**Pas på** Forcer ikke optøning med mekaniske hjælpemidler.



**Pas på** Pas på ikke at beskadige kølekredsløbet.



**Pas på** På grund af brandfare må kun uddannede teknikere montere systemet.



**Pas på** Der må ikke placeres elektrisk udstyr i skabet, med mindre det specifikt er godkendt af producenten.



## 2.2. Skabsmodeller

TectoPromo IS 1 Norwell har to forskellige skabsmodeller.

- Model C er et kølet displayskab (+2 - +4° C).
- Model FC kan enten være en fryser eller et køleskab afhængigt af temperaturindstillingerne (-23 - -21° C / +0 - +2° C). FC-modeller fås kun med låg. Lågene må ikke fjernes, når enheden er i drift.

Temperaturen i skabet er forudindstillet til det nødvendige niveau fra fabrikken.

## 2.3. Begrænsninger

Det er forbudt at anvende skabet på andre måder end den, der er angivet i denne vejledning. Kun varer, der er angivet i vejledningen eller i skabets brochure, må opbevares i skabet.

Producenten er ikke ansvarlig for ulykker forårsaget af brug af skabet, der er i modstrid med vejledningen, eller hvor der ikke er taget hensyn til advarslerne eller vejledningen ikke er fulgt.

**Bemærk** Det er forbudt at opholde sig i eller oven på skabet. Det er forbudt at stå på skabet eller dele deraf.



**Bemærk** Skabe med glaslåger og -døre skal behandles med forsigtighed for at undgå fingerskader eller andre skader.



**Bemærk** Bær altid beskyttelseshandsker ved håndtering af H-modellen, da overfladerne inde i skabet er varme.



**Bemærk** Skabet er kun til indendørs brug.



**Bemærk** Udluft lokalerne, hvis der er formodning om kølelækage.



**Bemærk** Opbevaring af brændbare eller andre farlige væsker i skabet er strengt forbudt.



## 2.4. Emballage

Transporter eller flyt skabet til dets bestemmelsessted i den originale fabriksemballage, når det er muligt. Emballagen kan genbruges.

**Bemærk** (Dette gælder for skabe, der bruger R290 som kølemiddel): Tænd ikke for strømmen til skabet, hvis du har mistanke om, at der er sket en kølemiddelslækage under transporten.



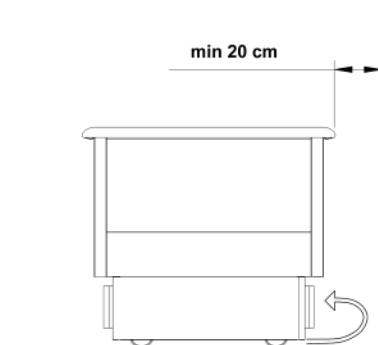
## 2.5. Transportskade

Pak skabet ud, og se efter, om der er tegn på skade under transporten. Giv straks dit forsikringsselskab, leverandøren eller producenten besked om beskadigelse af skabet.

## 2.6. Installation

1. Stil skabet på plads.

**Bemærk** Løft ikke skabet i den øverste ramme, da den kan gå i stykker.

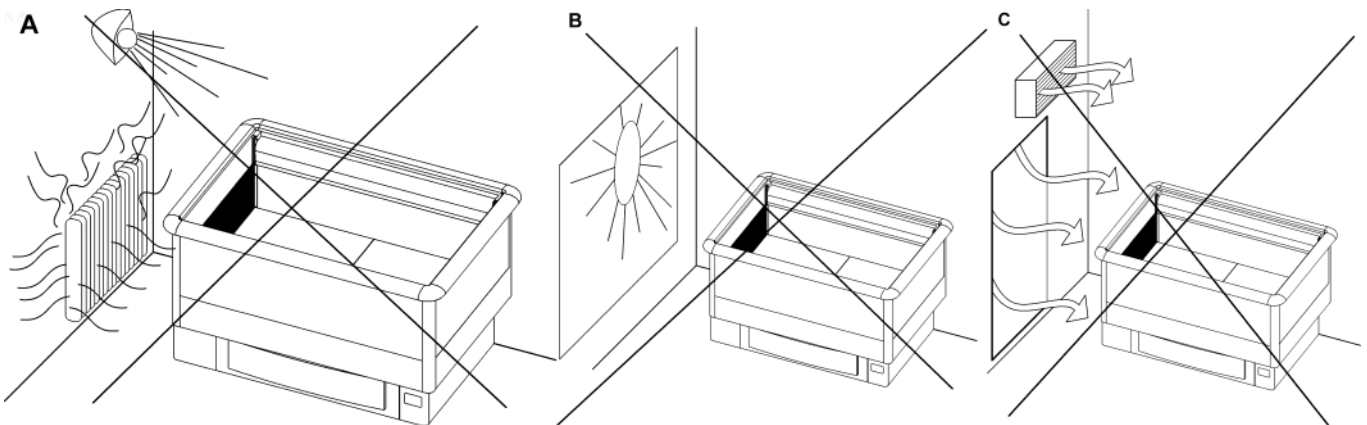


2. Sørg for, at luftstrømmen til kondensatoren ikke er blokeret.

Sørg for, at der er et ublokeret luftrum på mindst 20 cm bagved skabet.

Når du installerer møblet, skal du sørge for følgende:

- Området, hvor møblet står, skal være fladt og plant.
- Der må ikke være genstande oven på skabet.
- Skabet må ikke være placeret i umiddelbar nærhed af varmekilder, som f.eks. en radiator, varmeblæser eller spotlys. Se *figur A*.
- Møblet må ikke udsættes for direkte sollys. Brug om nødvendigt persienner i vinduer i nærheden. Se *figur B*.
- Områdets aircondition blæser ikke ind på skabet. Se *figur C*.



Skabets korrekte placering optimerer temperaturforhold og ydelse.

Skabe med industrigafler/hjul kan som en sikkerhedsforanstaltning forankres i væggen bagved dem.

## 2.7. Rengøring før brug

1. Rengør opbevaringsrummet til fødevarer med et mildt, flydende rengøringsmiddel (pH 6-8), inden skabet tages i brug.

Følg vejledningen angivet på rengøringsmidlet.

**Bemærk** Sørg for, at alle rengøringsvæsker er klassificerede som ikke-toksiske.



2. Aftør alle overflader omhyggeligt.

## 3. Elektriske forbindelser

**Bemærk**



Symbolet på skabet (en trekant med et lyn) angiver, at der under dækslet er komponenter og ledninger med højspænding. Kun personale, der er uddannet til at montere og servicere elektrisk udstyr, er tilladt adgang til områder med højspænding.

Kontrollér den påkrævede sikringsspænding og -størrelse på mærkepladen på skabet. Stikket skal være forbundet til jord og beskyttet med en 16 A langsom sikring til TectoPromo IS 1 Norwell 190 og med en 10 A langsom sikring til andre TectoPromo IS 1 Norwell-typer. Der må ikke være andet elektronisk udstyr tilsluttet den samme sikring.

**Bemærk**

Alle elektriske forbindelser skal udføres af godkendt og uddannet personale og skal opfylde alle IEE-regler og lokale retningslinjer. Overholdes dette ikke, kan det resultere i personskade eller dødsfald.

## 4. Drift

Kølingen opnås ved hjælp af et ventilatorfordampersystem. Fordamperen er placeret på bunden af skabets bakke.

Se placeringen af skabets lyskontakt på *figur 1 bag på forsiden*.



### 4.1. Opstart

1. Sæt stikket i stikkontakten.  
Kompressoren og ventilatorerne starter.
2. Vent i 90 minutter, eller indtil den ønskede temperatur er opnået.  
Skabet kan nu fyldes.

### 4.2. Fyldning af skabet

- Placer varerne forsigtigt.
- Fyld ikke skabet ud over den grænse, der er angivet i skabet.

Se *figur 2 bag på forsiden*.

Overskrides grænsen for opfyldning, forstyrres det beregnede luftgennemstrømningsmønster, og varernes temperatur vil stige.

- Sørg for ikke at tabe eller kaste varer ind i skabet.

**Bemærk**

Skabet er ikke beregnet til at nedkøle varer, men til at bevare den temperatur, varerne havde, da de blev lagt i skabet. Fødevarer, der er varmere end den angivne temperatur, bør ikke lægges i skabet.

### 4.3. Indstilling af driftstermostaten

Skabets driftstermostat findes i klemkassen i maskinrummet. Låget til maskinrummet er fastgjort med en fjeder. Termostaten er forudindstillet til den korrekte temperatur fra fabrikken.

På FC-modellen findes F/C (-/+)-kontakten over styreenheden. Se *figur 1 bag på forsiden*.

I FC-modellen skal driftstilstanden vælges med -/+ kontakten.

## 4.4. Dixell XR40CX-styreenhed

**Bemærk** Typen af styreenhed afhænger af skabet.  
XR40CX er en elektronisk styreenhed.

### 4.4.1. Skærmmeddelelser

I den normale tilstand viser skærmen skabstemperaturen.



#### Afrimningssignaler



Afrimning på vej.

#### Alarmsignaler ved følerfejl



Følerfejl ved styring. Kontakt serviceafdelingen.



Følerfejl ved fordampere. Kontakt serviceafdelingen.



Følerfejl ved skab. Kontakt serviceafdelingen.



Følerfejl ved kondensatortemperatur. Kontakt serviceafdelingen.

#### Alarmsignaler ved skabsfejl (overophedning af kondensator)



Kompressorerne er slukket på grund af overophedning. Undersøg først kondensatoren, og rengør den ved at åbne lemme fra bunden, og støvsug kondensatoren, hvis det er nødvendigt. Hvis fejlen varer ved, skal du kontakte serviceafdelingen.

#### 4.4.2. Kontrol af temperaturindstillinger

1. Tryk kortvarigt på knappen SET.

Indstillingsværdien vises på skærmen.

Den normale temperaturvisning vises også igen, hvis du ikke trykker på nogen af knapperne i fem (5) sekunder.

#### 4.5. Automatisk afrimning

Skabet er udstyret med en automatisk afrimningsfunktion. Enheden kontrollerer driftsperioderne og afrimningsprocessen. Afrimning udføres én (1) eller tre (3) gange om dagen (elektrisk afrimning). Afhængigt af skabsmodellen ledes afløbsvand fra afrimning automatisk til en fordampelsesbakke med varm gas eller til en elektrisk opvarmet fordampelsessump. Temperaturen indvendigt i skabet stiger med et par grader under afrimning.

### 5. Rengøring

Følgende rengøringsprocedure skal udføres mindst to gange om året.

**Bemærk** Skabet må ikke rengøres, mens ventilatorerne kører. Stop ventilatorerne ved at koble skabet fra strømforsyningen.

**Pas på** Fordampere, kondensatorer og dele lavet af rustfrit stål kan have skarpe kanter. Bær beskyttelseshandsker, og udvis opmærksomhed for at undgå at skære dig.



1. Kobl skabet fra strømmen, eller drej den separate kontakt til rengøringspositionen.
2. Tøm skabet.
3. Lad skabet varme op til rumtemperatur.
4. Fjern snavs.

Brug ikke spidse eller skarpe genstande til at fjerne is fra fordamperen. Beskadigelse af spolen kan medføre kølemiddelslækage.

5. Se efter, om der er afløbsvand, og fjern det om nødvendigt.
6. Rengør skabets indvendige overflader med et mildt flydende rengøringsmiddel (ikke-toksisk, pH 6-8), og tør omhyggeligt overfladerne efter med en ren klud.

## 7. Start skabet op efter rengøringen.

Se afsnittet *Opstart*.

Undersøg også med jævne mellemrum, at

- skabets driftsstøj er normal,
- at fordamperen er ren, og
- at gitrene til luftindtag og luftudtag ikke er blokerede eller beskidte.

### Bemærk



Rengør afløbssumpen, der findes i maskinrummet. Utilstrækkelig eller manglende rengøring kan forkorte levetiden for den elektriske varmer/afløbssumpens rørføring til varm gas. Resterende rengøringsmiddel skal omgående fjernes fra bakken.

### Bemærk



I tilfælde af kølemiddelslækage skal alle varer i skabet kasseres, og skabet rengøres.

## 5.1. Rengøring af kondensatoren

Kontroller, om kondensatoren er ren en gang om måneden eller oftere efter behov.

Udfør følgende procedurer efter behov.

1. Støvsug kondensatorens lameller, og kontroller, at mellemrummene mellem lamellerne ikke er blokerede.
2. Træk pladens øverste kant udad, og drej pladen nedad, som vist på den vedlagte tegning.

Hvis styreenheden angiver, at der er højt tryk i kondensatoren, skal du kontrollere kondensatoren og rengøre den, hvis det er nødvendigt. Hvis skabet stadigvæk ikke fungerer normalt efter denne procedure, skal du kontakte serviceafdelingen.

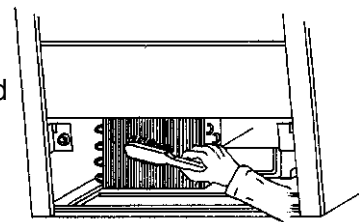


### Bemærk

Når skabet kobles fra strømmen, kører sumpvarmeren eller pumpen ikke, og afløbsvand eller rengøringsvæske kan ophobes i fordampningssumpen.

### Bemærk

Kondensatorenheden findes nederst i skabet.



## 6. Forstyrrelser i elforsyningen

Skabet startes op automatisk efter en strømafbrydelse eller forstyrrelse i elforsyningen. Fordampere ns afløbssump kan flyde over under en strømafbrydelse. Kontroller, at skabet fungerer normalt efter en strømafbrydelse. Kontakt serviceafdelingen, hvis det er nødvendigt.

## 7. Fejlsøgning

Hvis skabet eller skabets udstyr er defekt, eller skabet ikke fungerer normalt, skal du sikre, at det ikke medfører fare for mennesker eller ejendom. Afbryd skabet om nødvendigt, og kontakt den nærmeste serviceafdeling.

Inden du kontakter en servicemedarbejder, skal du kontrollere, at

- stikket ikke er faldet ud af stikkontakten, og at strømforsyningen virker.
- skabets sikring er intakt.
- skabet er placeret korrekt.
- kondensatoren ikke er blokeret eller beskidt.
- varerne er placeret korrekt i skabet.
- luftstrømningen i skabet ikke er blokeret.
- afrimning ikke er i gang, se termometeret.

Hvis grunden til funktionsfejlen ikke kan findes, skal du koble strømmen fra skabet, og kontakte serviceafdelingen.

Kontroller med jævne mellemrum, at skabets driftsstøj er normal, at kondensatoren og fordamperen er rene, samt at luftstrømningen gennem gitrene til luftindtag og luftudtag ikke er blokeret af snavs, overskydende emballage eller andre lignende materialer. Se afsnit 4.4.1.

*Skærmmeddelelser*

## 8. Eftersyn og reservedele

Skabenes specifikationer er angivet på mærkepladen, se *indersiden af forsiden*. Oplys skabstype, navn, serienummer og kontrolmærkerne på mærkepladen til din lokale autoriserede serviceafdeling. Et ledningsdiagram og en liste over tekniske specifikationer (FAKTA), der indeholder en komponentliste, er vedlagt i en plastiklomme i skabets maskinrum. Skabets vedligeholdelsesperioder er defineret i servicekontrakten.

**Bemærk** Kun autoriserede installatører må udføre eftersyn og reparation af maskindele og elektrisk udstyr i skabet. Fordamperen skal rengøres af autoriseret servicepersonale.



Det anbefales at bruge Viessmann Refrigeration Systems Oy reservedele.

## 9. Bortskaffelse af udstyr

Når skabet har udtjent sin levetid, skal det bortskaffes i overensstemmelse med lokale regler og retningslinjer. Opsøg ekspertråd ved bortskaffelse af miljøskadelige stoffer og ved brug af genbrugelige materialer.

**Pas på** R290 er meget brandbart, dette gælder for skabe, der anvender R290-propan som kølemiddel.



# EESTI

<b>1. Enne kasutamist</b> .....	2
<b>1.1. Garantii</b> .....	2
<b>2. TectoPromo IS 1 Norwell</b> .....	2
<b>2.1. Hoiatused</b> .....	2
<b>2.2. Seadmetüübid</b> .....	3
<b>2.3. Piirangud</b> .....	3
<b>2.4. Pakend</b> .....	4
<b>2.5. Transpordikahjustused</b> .....	4
<b>2.6. Paigaldamine</b> .....	4
<b>2.7. Kasutuseelne puhastamine</b> .....	5
<b>3. Elektriühendused</b> .....	5
<b>4. Kasutamine</b> .....	6
<b>4.1. Seadme käivitamine</b> .....	6
<b>4.2. Vitriini täitmine</b> .....	6
<b>4.3. Termostaadi seadistamine</b> .....	6
<b>4.4. Juhtseade Dixell XR40CX</b> .....	7
4.4.1. Näidiku teated.....	7
4.4.2. Temperatuuriseadete kontrollimine.....	8
<b>4.5. Automaatne sulatamine</b> .....	8
<b>5. Puhastamine</b> .....	8
<b>5.1. Kondensaatori puhastamine</b> .....	9
<b>6. Elektrikatkestused</b> .....	9
<b>7. Rikkeotsing</b> .....	9
<b>8. Hooldus ja varuosad</b> .....	10
<b>9. Seadme utiliseerimine</b> .....	10

## 1. Enne kasutamist

Lugege see kasutusjuhend hoolikalt läbi. Kasutusjuhendis kirjeldatakse, kuidas seadet õigesti ja ohutult paigaldada, paigutada, kasutada ja hooldada.

Hoidke juhendit kindlas kohas, kus see on kättesaadav ka teistele kasutajatele.

Seade tuleb paigaldada ja kasutusele võtta kooskõlas tootja kasutusjuhendi, kehtivate eeskirjade ja normidega.

Kui külmriiulis või selle seadmestikus tekib rike või kui külmriiul ei tööta normaalselt, veenduge, et see ei sea ohtu inimesi ega vara. Vajaduse korral lülitage seade elektrivõrgust välja ja pöörduge lähima hooldusettevõtte poole. Kõik selle seadme kasutajad peavad teadma, kuidas seadet õigesti ja ohutult kasutada.

### 1.1. Garantii

Kõigil seadmetel on ühe (1) aasta pikkune vastupidavus- ja materjaligarantii, kui seadet kasutatakse normaaltingimustes (klass 3).

Ümbritseva keskkonna normaaltingimuste näidud ei tohi ületada järgmisi väärtusi:

- suhteline niiskus 60% RH;
- ruumi õhutemperatuur +25 °C;
- õhuvoolu kiirus külmriiuli ees < 0,2 m/s.

**Märkus** Garantii ei laiene klaasi purunemisele (juhuslik või mitte).



## 2. TectoPromo IS 1 Norwell

TectoPromo IS 1 Norwell on mõeldud sügavkülmutatud toiduainetele ja pakitud toodetele, seade hoiab toodete säilitamiseks vajalikku temperatuuri.

### 2.1. Hoiatused

**ETTEVAATUST** Tuleoht! Seade sisaldab propaani R290. Propaanisisaldus on esitatud seadme andmesildil.



**ETTEVAATUST** Ärge takistage seadmes ja vitriinis sisemist õhuringlust.



**ETTEVAATUST** Ärge kiirendage sulamist mehaaniliste vahenditega.



**ETTEVAATUST** Ärge kahjustage külmutusahelat.



**ETTEVAATUST** Tuleohu tõttu tohib seadmeid paigaldada ainult asjakohase väljaõppega tehnik.



**ETTEVAATUST** Vitriini sisse ei tohi paigaldada elektriseadmeid, välja arvatud juhul, kui tootja on selle eraldi heaks kiitnud.



## 2.2. Seadmetüübid

Külmvanni TectoPromo IS 1 Norwell on kahte eri tüüpi:

- C-versioon jahutav kaubavitrin (+2...+4 °C);
- FC-versioon võib olla nii sügavkülmik kui ka jahuti, olenevalt temperatuuri seadistusest (-23...-21 °C / +0...+2 °C). FC mudelid on saadaval ainult kaantega. Seadme töötamise ajal ei tohi kaant avada.

Külmvanni temperatuur on eelseatud vastavalt vajadusele juba tehases.

## 2.3. Piirangud

Vitriini on keelatud kasutada viisil, mida kasutusjuhendis ei ole kirjeldatud. Vitriinis on lubatud hoida vaid selliseid toiduaineid, mis on loetletud käesolevas kasutusjuhendis või konkreetse seadme kasutusjuhendis.

Tootja ei vastuta juhtumite eest, mis on tingitud vitriini kasutusjuhendi nõuete või kasutusjuhendis esitatud hoiatuste või juhiste eiramisest.

**Märkus** Vitriini sisse või peale ronimine on keelatud. Vitriini mis tahes osal seismine on keelatud.



**Märkus** Sõrme- ja muude kehavigastuste vältimiseks olge klaaskaante ja -ustega varustatud vitriinide käsitlemisel ettevaatlik.



**Märkus** H-versiooni käsitlemisel kandke alati kaitsekindaid, sest seadme sisepinnad on kuumad.



**Märkus** Vitriin on ette nähtud vaid siseruumides kasutamiseks.



**Märkus** Kui arvate, et on aset leidnud külmutusagensi leke, õhutage ruumid.



**Märkus**

Tuleohtlike või ohtlike vedelike hoidmine vitriinis on rangelt keelatud.



## 2.4. Pakend

Võimaluse korral transportige vitriin paigalduskohta originaalpakendis. Pakkematerjalid on taastöödeldavad.

**Märkus**

(Järgmine juhis kehtib vitriinide kohta, milles kasutatakse külmutusagensit R290.) Kui arvate, et vitriini transportimise ajal on külmutusagensit lekkinud, ärge lülitage vitriini toidet sisse.



## 2.5. Transpordikahjustused

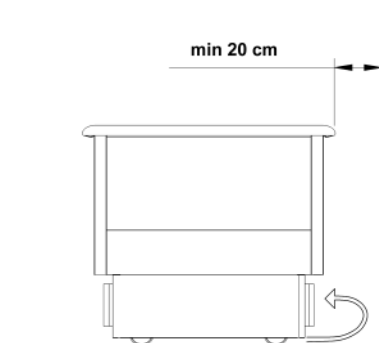
Pakkige seade lahti ja veenduge, et seadmel ei esine transpordikahjustusi. Kahjustuste ilmnemisel teavitage sellest kohe kindlustusettevõtet, seadme tarnijat või tootjat.

## 2.6. Paigaldamine

1. Paigutage vitriin soovitud kohta.

**Märkus**

Ärge tõstke vitriini raami ülaosast, sest see võib puruneda.

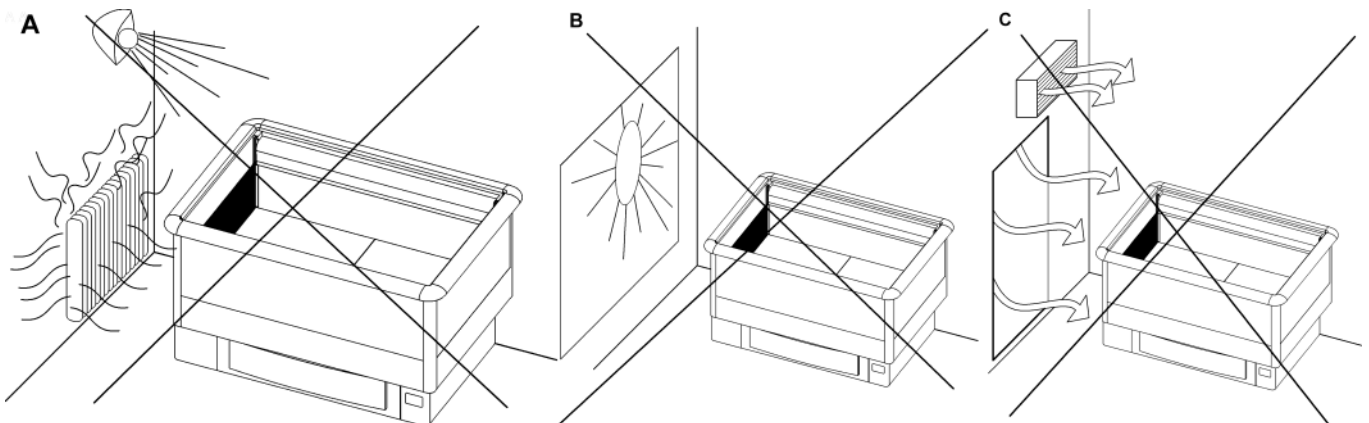


2. Veenduge, et õhuvool kondensaatorisse ei oleks takistatud.

Jätke vitriini taha vähemalt 20 cm laiune vaba ruum.

Vitriini paigaldamisel pöörake tähelepanu järgmistele asjaoludele:

- vitriinialune pind peab olema sile ja tasane;
- et külmriiuli peale poleks midagi asetatud;
- vitriin ei tohi olla radiaatori, soojapuhuri ega kohtvalgusti vahetus läheduses. Vt *joonist A*;
- vitriin ei tohi olla otsese päikesevalguse käes; vajadusel katke aknad rulooga. Vt *joonist B*;
- ruumi kliimaseadmed ei tohi olla suunatud vitriini poole. Vt *joonist C*.



Vitriini õige paigaldamine tagab optimaalse temperatuuri ja seadme parimad töomadused.

Rullikute/ratastega vitriinid võib ohutuse otstarbel kinnitada vitriinitaguse seina külge.

## 2.7. Kasutuseelne puhastamine

1. Enne seadme kasutamist puhastage toiduainete säilitusruum lahja puhastusvedelikuga (pH 6–8).

Järgige puhastusvahendi kasutusjuhiseid.

### Märkus



Veenduge, et kõik puhastusvahendid oleksid klassifitseeritud kui mittemürgised.

2. Kuivatage pinnad hoolikalt.

## 3. Elektriühendused

### Märkus



Seadmele märgitud sümbol (välgunool kolmnurga sees) hoiatab, et kattepaneeli all on pingestatud osad ja juhtmed. Pingestatud seadmetega võivad töötada ainult elektriseadmetiku paigaldamist ja hooldamist käsitleva väljaõppe läbinud isikud.

Kaitse peab vastama seadmele kinnitatud andmesildi nõuetele. Elektritoide peab olema maandatud ja kaitstud 16 A inertkaitsmega mudeli TectoPromo IS 1 Norwell 190 puhul ja 10 A inertkaitsmega muude TectoPromo IS 1 Norwelli mudelite puhul. Sama kaitsmega ei tohi ühendada teisi seadmeid.

**Märkus**

Elektriühendusi võib luua ainult volitatud/kvalifitseeritud personal asjakohaste IEE standardite ja kohalike eeskirjade kohaselt. Nimetatud nõude eiramine võib põhjustada raske või eluohtliku vigastusega õnnetuse.

## 4. Kasutamine

Vitriini jahutab ventilaatoriga aurusti. Aurusti paikneb seadme põhjatasandi all.

Lisateavet vitriinivalgusti lüliti asukoha kohta vt *kasutusjuhendi sisekaanel olevalt jooniselt 1*.



### 4.1. Seadme käivitamine

1. Ühendage pistik seinakontakti.  
Kompressor ja ventilaatorid hakkavad tööle.
2. Laske seadmel töötada tühjalt umbes 90 minutit või kuni seade saavutab vajaliku temperatuuri.  
Külmriiul on nüüd täitmiseks valmis.

### 4.2. Vitriini täitmine

- Olge toodete paigutamisel hoolikas.
- Järgige vitriini täitmisel seadmel märgitud täitmiskiirust.  
Vaadake *kasutusjuhendi sisekaanel joonist 2*.  
Täitmiskiirust ületamine takistab õhuringlust ja tõstab vitriini paigutatud toodete temperatuuri.
- Ärge laske toodetel vitriini kukkuda ja ärge visake tooteid vitriini.

**Märkus**

Vitriin ei ole ette nähtud toodete jahutamiseks, vaid toodete temperatuuri säilitamiseks. Külmriiulisse ei tohi asetada kaupa, mille temperatuur ei vasta nõuetele.

### 4.3. Termostaadi seadistamine

Seadme termostaat asub masinaruumis klemmkarbis. Mootoriruumi kaas on vedrukinnitusega. Termostaadi õige temperatuur on juba tehases eelseadistatud.

Mudelil FC asub F/C (-/+) lüliti juhtseadme kohal. Vaadake *kasutusjuhendi sisekaanel joonist 1*.

Mudelil FC tuleb töörežiim valida -/+ lülitiga.

## 4.4. Juhtseade Dixell XR40CX

**Märkus** Kasutatava juhtseadme tüüp sõltub vitriinist.  
XR40CX on elektrooniline vitriini juhtseade.

### 4.4.1. Näidiku teated

Normaalolekus kuvatakse näidikul vitriini temperatuur.



#### Signaalid sulatamisel



Toimub sulatusprotsess.

#### Anduri rikke häiresignaalid



Juhtanduri rike. Pöörduge teenindusse.



Aurusti anduri rike.  
Pöörduge teenindusse.



Vitriini anduri rike. Pöörduge teenindusse.



Kondensaatori temperatuurianduri rike. Pöörduge teenindusse.

#### Vitriini häiresignaalid (kondensaatori ülekuumenemine)



Kompressorid lülitusid ülekuumenemise tõttu välja. Kontrollige esmalt kondensaatorit (vajadusel avage alumise osa luuk ja puhastage kondensaator tolmuimejaga). Kui probleem ei lahene, pöörduge teenindusse.

#### 4.4.2. Temperatuuriseadete kontrollimine

1. Vajutage lühidalt nuppu SET.

Näidikule ilmub sätteväärtus.

Temperatuuri normaalvaade ilmub tagasi ka juhul, kui te ei vajuta ühtegi nuppu viie (5) sekundi jooksul.

#### 4.5. Automaatne sulatamine

Külmseade on varustatud automaatse sulatusseadmega. Seade kontrollib töösükleid ja sulatamisprotsessi. Sulatamine toimub üks (1) või kolm (3) korda päevas (elektriline sulatamine). Sõltuvalt vitriini tüübist suunatakse sulavesi automaatselt kuuma gaasiga soojendatavasse sulaveevanni või elektrisoojendusega sulaveevanni. Sulatamise ajal tõuseb seadme sisetemperatuur mõne kraadi võrra.

### 5. Puhastamine

Vähemalt kaks korda aastas tuleb seadet puhastada järgmisel viisil.

**Märkus** Kui ventilaatorid töötavad, ei tohi külmriiulit puhastada. Ventilaatorite töö peatamiseks lülitage külmriiul elektrivõrgust välja.

**ETTEVAATUST** Aurustid, kondensaatorid ja roostevabast terasest osad võivad olla teravate äärtega. Lõikehaavade vältimiseks kandke kaitsekindaid ja olge ettevaatlik.



1. Lülitage seade elektrivõrgust välja või keerake vastav lüliti puhastusasendisse.
2. Tühjendage külmriiul.
3. Oodake, kuni seade soojeneb ümbritseva õhu temperatuurini.
4. Eemaldage praht.

Aurustist jää eemaldamiseks ärge kasutage orasid ega teravaid tööriistu. Mähise vigastus võib põhjustada külmutusaine lekke.

5. Kui seadmes on sulavett, siis eemaldage see.
6. Puhastage seadme sisepindu pehmetoimelise puhastusvedelikuga (mittemürgine, pH 6–8) ja kuivatage pinnad hoolikalt puhta lapiga.

## 7. Pärast puhastamist lülitage seade sisse.

Vaadake jaotist *Seadme käivitamine*.

Kontrollige regulaarselt, et

- külmriiuli müratase oleks normaalne,
- aurusti oleks puhas ning
- sissetõmbe- ja väljapuhkerestide ees poleks takistusi ja et need poleks määrdunud.

### Märkus



Puhastage seadmeruumis olev sulaveevann. Ebapiisav või liiga harv puhastamine võib lühendada sulaveevanni elektrisoojendi/gaasitorustiku eluiga. Puhastusvahendi jägid tuleb seadmest kohe pärast puhastamist kõrvaldada.

### Märkus



Külmutusaine lekke korral tuleb kõik vitriinis olevad tooted kõrvaldada ja seejärel vitriin puhastada.

## 5.1. Kondensaatori puhastamine

Kontrollige kord kuus (vajadusel tihemini), kas kondensaator on puhas.

Vajadusel toimige järgmiselt.

1. Puhastage kondensaatoriribid tolmuimejaga ja kontrollige, kas ribidevaheline ruum on puhas.
2. Tõmmake esiplaat ülaservast väljapoole ja keerake alla (vt joonist).

Kui juhtseade tuvastab kondensaatoris kõrge rõhu, kontrollige kondensaatorit ja vajadusel puhastage see. Kui seade ei tööta ka pärast nimetatud toimingut normaalselt, pöörduge teenindusse.

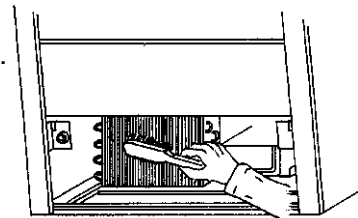


### Märkus

Kui seade pole elektrivõrku ühendatud, siis sulaveevanni küttekeha või pump ei tööta ja sulaveevann võib täituda sula- või pesuveega.

### Märkus

Kondensaator paikneb vitriini alaosas.



## 6. Elektrikatkestused

Pärast elektrikatkestust või elektritoitehäiret käivitub külmseade automaatselt. Elektrikatkestuse ajal võib sulaveevann veega täituda ja vesi üle anuma ääre voolata. Pärast elektrikatkestust kontrollige, kas seade töötab normaalselt. Vajaduse korral pöörduge lähimasse hooldusettevõttesse.

## 7. Rikkeotsing

Kui külmriiulis või selle seadmestikus tekib rike või kui külmriiul ei tööta normaalselt, veenduge, et see ei sea ohtu inimesi ega vara. Vajadusel lülitage seade elektrivõrgust välja ja pöörduge lähima hooldusettevõtte poole.

Enne hooldusmehaaniku kutsumist kontrollige:

- ega pistik ole võrgupistikupesast välja tulnud ja kas elektertoide on olemas;
- kas seadme kaitse on töökorras;
- kas seade on õigesti paigaldatud;
- ega kondensaator ole blokeeritud ega ummistunud;
- kas tooted on seadmesse õigesti paigutatud;
- ega õhuringlus seadmes ole takistatud;
- ega käimas ole sulatus (vaadake termomeetrit).

Kui seadme rikke põhjust ei õnnestu välja selgitada, lülitage seade elektrivõrgust välja ja pöörduge hooldusettevõtte poole.

Kontrollige regulaarselt, kas seadme tööheli on normaalne, kondensaator ja aurusti puhtad ning õhu sisse- ja väljapuhkerestid takistustest vabad.

## 8. Hooldus ja varuosad

Seadme tehnilised andmed on märgitud seadme andmesildile, vt *kasutusjuhendi sisekaant*. Teatage volitatud hooldusettevõttele seadme tüüp, nimetus, seerianumber ja andmesildile märgitud kontrolltähised. Seadme elektriskeem ja komponentide loetelu sisaldav tehniline spetsifikatsioon (FAKTA) asuvad seadmeruumis plasttaskus. Seadme hooldusvälbad on määratud hoolduslepingus.

### Märkus



Külmriiulit ja selle seadmestikku võivad hooldada ja remontida vaid vastava väljaõppega mehaanikud. Aurustit tohib puhastada vaid vastava väljaõppega hooldusmehaanik.

Soovitav on kasutada Viessmann Refrigeration Systems Oy varuosi.

## 9. Seadme utiliseerimine

Seadme kasutusaja lõppemisel tuleb seade utiliseerida vastavalt kohalikele eeskirjadele ja nõuetele. Keskkonnale kahjulike või käitlusse antavate materjalide utiliseerimisel kasutage spetsialistide abi.

**ETTEVAATUST** R290 on väga tuleohtlik. See kehtib vitriinide kohta, milles külmutusagensina kasutatakse propaani R290.



# LATVIEŠU

<b>1. Pirms lietošanas sākšanas</b> .....	2
<b>1.1. Garantija</b> .....	2
<b>2. TectoPromo IS 1 Norwell</b> .....	2
<b>2.1. Brīdinājumi</b> .....	2
<b>2.2. Vitrīnu modeļi</b> .....	3
<b>2.3. Ierobežojumi</b> .....	3
<b>2.4. Iepakojums</b> .....	4
<b>2.5. Transportēšanas bojājumi</b> .....	4
<b>2.6. Uzstādīšana</b> .....	4
<b>2.7. Tīrīšana pirms izmantošanas</b> .....	5
<b>3. Elektrosavienojumi</b> .....	5
<b>4. Darbība</b> .....	6
<b>4.1. Ieslēgšana</b> .....	6
<b>4.2. Vitrīnas piepildīšana</b> .....	6
<b>4.3. Termostata iestatīšana</b> .....	6
<b>4.4. Vadības ierīce Dixell XR40CX</b> .....	7
4.4.1. Displeja ziņojumi.....	7
4.4.2. Temperatūras iestatījumu pārbaude.....	8
<b>4.5. Automātiskā atkausēšana</b> .....	8
<b>5. Tīrīšana</b> .....	8
<b>5.1. Kondensatora tīrīšana</b> .....	9
<b>6. Elektrosadales pārtraukumi</b> .....	9
<b>7. Problēmu risināšana</b> .....	10
<b>8. Tehniskā apkope un rezerves daļas</b> .....	10
<b>9. Iekārtas utilizēšana</b> .....	10

## 1. Pirms lietošanas sākšanas

Uzmanīgi izlasiet šos norādījumus. Tajos izskaidrots, kā pareizi un droši uzstādīt, izvietot un lietot vitrīnu un veikt tās tehnisko apkopi.

Glabājiet šos norādījumus drošā un pārējiem lietotājiem pieejamā vietā.

Vitrīna jāuzstāda un jāieslēdz, ievērojot ražotāja norādījumus un atbilstoši vietējiem norādījumiem un noteikumiem.

Ja vitrīna vai vitrīnas aprīkojums ir bojāts vai vitrīna nedarbojas pareizi, pārliecinieties, vai tādējādi netiek radīti draudi cilvēkiem un īpašumam. Ja nepieciešams, atvienojiet vitrīnu un sazinieties ar tuvāko tehniskās apkopes organizāciju. Visiem vitrīnas lietotājiem jāzina, kā pareizi un droši lietot vitrīnu.

### 1.1. Garantija

Katrai vitrīnai un tajā izmantotajiem materiāliem ir viena (1) gada garantija, ja tā darbojas normālos apkārtējos apstākļos (3. klase).

Normālos apkārtējos apstākļos nedrīkst būt pārsniegti šādi ierobežojumi:

- relatīvais mitrums 60 % RH;
- apkārtējā temperatūra +25 °C;
- frontālā gaisa plūsma < 0,2 m/s.

**Piezīme** Garantija neattiecas uz netīši vai kā citādi saplēstu stiklu.



## 2. TectoPromo IS 1 Norwell

TectoPromo IS 1 Norwell ir saldētai pārtikai un pakotiem produktiem paredzēta vitrīna, kas uztur šo produktu glabāšanai nepieciešamo temperatūru.

### 2.1. Brīdinājumi

#### UZMANĪBU



Ja aparatūrā ir izmantots propāns R290, pastāv aizdegšanās risks. Informācija par propāna lietojumu ir norādīta tehnisko pamatdatu plāksnē un uz aparatūras.

#### UZMANĪBU



Neaizsprostojiet gaisa plūsmu aparatūrā un vitrīnā.

#### UZMANĪBU



Nepaātriniet atkausēšanu, izmantojot mehāniskus līdzekļus.

**UZMANĪBU**

Neizjauciet sasaldēšanas ciklu.

**UZMANĪBU**

Ugunsbīstamības dēļ sistēmu drīkst uzstādīt tikai kvalificēts tehniķis.

**UZMANĪBU**

Vitrīnā nedrīkst ievietot nekādas elektroierīces, ja vien ražotājs to nav īpaši atļāvis.



## 2.2. Vitrīnu modeļi

Ir pieejami divu dažādi TectoPromo IS 1 Norwell vitrīnu modeļi.

- C tipa vitrīna ir aukstumvitrīna (+2...+4 °C).
- FC tipa vitrīnu var izmantot kā saldētavu vai aukstumvitrīnu atkarībā no temperatūras iestatījumiem (-23—-21 °C/+0—+2 °C). FC modeļi ir pieejami tikai ar vākiem. Ierīces darbības laikā nenogremiet vāku.

Vitrīnas temperatūra ir iepriekš iestatīta atbilstoši rūpnīcas regulējumiem.

## 2.3. Ierobežojumi

Vitrīnas izmantošana veidā, kas nav aprakstīts šajā instrukcijā, ir aizliegta. Vitrīnā drīkst glabāt tikai tos produktus, kas norādīti šajā instrukcijā vai vitrīnas brošūrā.

Ražotājs neuzņemas atbildību par negadījumiem, ko izraisījusi vitrīnas ekspluatācija, kas ir pretrunā ar šiem norādījumiem, vai kas radušies, neievērojot šeit minētos brīdinājumus vai norādījumus.

**Piezīme**

Aizliegts iekāpt vitrīnā vai kāpt uz tās. Aizliegts stāvēt uz jebkuras vitrīnas daļas.

**Piezīme**

Vitrīnas ar stikla vākiem un durvīm lietojiet uzmanīgi, lai nesavainotu pirkstus un nepieļautu citu traumu gūšanu.

**Piezīme**

Lietojot H versiju, vienmēr velciet cimdus — vitrīnas iekšējās virsmas ir karstas.

**Piezīme**

Vitrīna paredzēta tikai izmantošanai iekštelpās.

**Piezīme**

Ja rodas aizdomas par aukstumnesēja noplūdi, vēdiniet telpas.



**Piezīme**

Viegli uzliesmojošu vai bīstamu šķidrumu glabāšana vitrīnā ir stingri aizliegta.



## 2.4. Iepakojums

Ja iespējams, transportējiet vai pārvietojiet vitrīnu uz uzstādīšanas vietu tās oriģinālajā rūpnīcas iepakojumā. Iepakojuma materiālus var pārstrādāt.

**Piezīme**

(Attiecas uz vitrīnām, kurās kā aukstumnesējs izmantots R290.) Nepieslēdziet vitrīnai strāvas padevi, ja ir aizdomas, ka transportēšanas laikā radusies aukstumnesēja noplūde.



## 2.5. Transportēšanas bojājumi

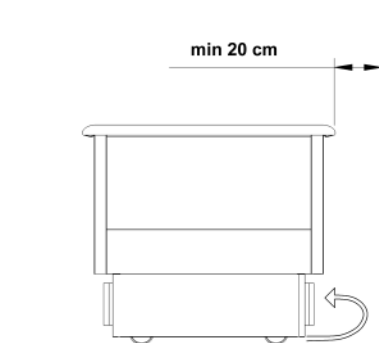
Izsaiņojiet vitrīnu un pārbaudiet, vai transportēšanas laikā nav radušies bojājumi. Par bojājumiem nekavējoties ziņojiet savai apdrošināšanas sabiedrībai vai iekārtas piegādātājam vai ražotājam.

## 2.6. Uzstādīšana

1. Novietojiet vitrīnu vajadzīgajā vietā.

**Piezīme**

Neceliet vitrīnu, turot to aiz augšējā rāmja, jo šādi vitrīna var salūzt.

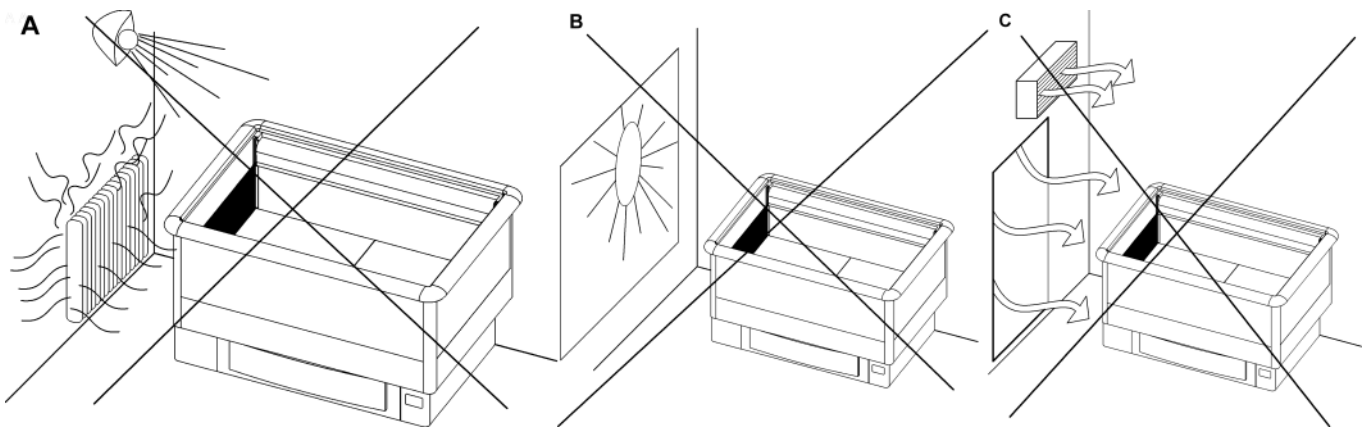


## 2. Pārļiecinieties, vai netiek aizšķērsota gaisa plūsma uz kondensatoru.

Aiz vitrīnas jābūt vismaz 20 cm platai gaisa plūsmas spraugai.

Uzstādot vitrīnu, ir jāievēro šādi nosacījumi:

- Virsma, uz kuras tiek novietota vitrīna, ir līdzena un horizontāla.
- Uz vitrīnas nav novietoti nekādi priekšmeti.
- Vitrīna nav novietota neviena siltuma avota tiešā tuvumā, piemēram, pie radiatora, gaisa sildītāja vai prožektora. Skatiet *attēlu A*.
- Vitrīna neatrodas tiešā saules gaismā. Ja nepieciešams, tuvumā esošajiem logiem pielieciet žalūzijas. Skatiet *attēlu B*.
- Pret vitrīnu nav vērsta iekštelpās izmantota gaisa kondicionētāja plūsma. Skatiet *attēlu C*.



Vitrīnas pareizs novietojums optimizē temperatūras apstākļus un lietošanas efektivitāti.

Drošības apsvērumu dēļ vitrīnas uz rullīšiem/ritenīšiem var piestiprināt pie vitrīnas aizmugurē esošās sienas.

## 2.7. Tīrīšana pirms izmantošanas

1. Pirms vitrīnas izmantošanas notīriet pārtikas glabāšanas nodalījumu ar maigu šķidro mazgāšanas līdzekli (pH 6–8).

Ievērojiet mazgāšanas līdzekļa komplektā ietvertos norādījumus.

**Piezīme** Pārļiecinieties, vai visi tīrīšanas šķidrums ir klasificēti kā netoksiski.



2. Rūpīgi nosusiniet virsmas.

## 3. Elektrosavienojumi

**Piezīme**



Simbols uz vitrīnas (zibens šautra trijstūrī) norāda, ka dažos zem pārsega esošos komponentos un vados ir spriegums. Zonām, kurās ir spriegums, drīkst piekļūt tikai darbinieki, kas apmācīti uzstādīt elektroiekārtas un veikt to tehnisko apkopi.

Nepieciešamā drošinātāja spriegumu un lielumu skatiet vitrīnai piestiprinātajā nominālo datu plāksnītē. Elektrotīkla kontaktligzdai jābūt iezemētai un aizsargātai ar 16 A kustošo drošinātāju, izmantojot TectoPromo IS 1 Norwell 190, un ar 10 A kustošo drošinātāju, izmantojot citus TectoPromo IS 1 Norwell modeļus. Drošinātājam nedrīkst pievienot citas elektroierīces.

**Piezīme**

Visi elektrosavienojumi jāveic licencētiem un kvalificētiem darbiniekiem, un tiem jāatbilst visiem IEE un vietējiem noteikumiem, jo pretējā gadījumā darbinieki var gūt traumas vai nāvējošus ievainojumus.

## 4. Darbība

Dzesēšanu nodrošina ventilatora un iztvaicētāja sistēma. Iztvaicētājs atrodas vitrīnas pamatnē. Skatiet *1. attēlu vāka iekšpusē*, lai noskaidrotu, kur atrodas vitrīnas gaismas slēdzis.



### 4.1. Ieslēgšana

1. Pievienojiet kontaktdakšu strāvas kontaktligzdai.  
Kompresors un ventilatori sāk darboties.
2. Pagaidiet 90 minūtes vai līdz vajadzīgās temperatūras sasniegšanai.  
Tagad vitrīna ir gatava papildīšanai.

### 4.2. Vitrīnas papildīšana

- Ievietojiet produktus uzmanīgi.
- Neievietojiet vitrīnā vairāk produktu par vitrīnas svara ierobežojumu norādījumos minēto.

Skatiet *2. attēlu uz iekšējā vāka*.

Pārsniedzot svara ierobežojumus, tiks traucēta paredzētā gaisa plūsma un produktu temperatūra paaugstināsies.

- Produktus vitrīnā nemetiet un nesviediet.

**Piezīme**

Vitrīna nav paredzēta produktu atdzesēšanai, bet gan to glabāšanai, uzturot tos tādā temperatūrā, kādā tie ievietoti vitrīnā. Vitrīnā nedrīkst novietot pārtikas produktus, kuru temperatūra ir augstāka par norādīto.

### 4.3. Termostata iestatīšana

Vitrīnas darba termostats atrodas aparatūras nodalījumā izvietotajā elektrosadales kārbā. Aparatūras nodalījuma vāks ir aprīkots ar atsperi. Rūpnīcā ir iestatīta pareizā termostata temperatūra.

FC modelī F/C (-/+ ) slēdzis atrodas virs vadības iekārtas. Skatiet *1. attēlu uz iekšējā vāka*.

FC modelī darbības režīms ir jāatlasa, izmantojot -/+ slēdzi.

## 4.4. Vadības ierīce Dixell XR40CX

**Piezīme** Tas, kāda veida vadības ierīce tiek izmantota, ir atkarīgs no vitrīnas. XR40CX ir elektroniska vitrīnas vadības ierīce.

### 4.4.1. Displeja ziņojumi

Standarta stāvoklī displejā tiek rādīta vitrīnas temperatūra.



#### Atkausēšanas signāli



Notiek atkausēšana.

#### Zondes atteices brīdinājuma signāli



Vadības zondes kļūme. Sazinieties ar tehniskās apkopes nodrošinātāju.



Iztvaicētāja zondes kļūme. Sazinieties ar tehniskās apkopes nodrošinātāju.



Vitrīnas zondes kļūme. Sazinieties ar tehniskās apkopes nodrošinātāju.



Kondensatora temperatūras zondes kļūme. Sazinieties ar tehniskās apkopes nodrošinātāju.

#### Vitrīnas atteices brīdinājuma signāli (kondensatora pārkaršana)



Kompresori ir izslēgti pārkaršanas dēļ. Vispirms pārbaudiet kondensatoru un iztīriet to, atverot lūku tā pamatnē un, ja nepieciešams, iztīrot kondensatoru ar putekļsūcēju. Ja kļūme atkārtojas, sazinieties ar tehniskās apkopes nodrošinātāju.

#### 4.4.2. Temperatūras iestatījumu pārbaude

1. Nospiediet un atlaidiet taustiņu SET (Iestaīt).

Displejā tiek parādīta kontrolpunkta vērtība.

Ja piecu (5) sekunžu laikā nospiedīsiet nevienu pogu, tiks parādīts parastais temperatūras skats.

#### 4.5. Automātiskā atkausēšana

Vitrīna ir aprīkota ar automātiskas atkausēšanas ierīci. Iekārta nosaka darbības periodus un atkausēšanas procesu. Atkausēšana tiek veikta vienu (1) vai trīs (3) reizes dienā (elektriskā atkausēšana). Atkarībā no vitrīnas modeļa atkausēšanas laikā nolietais ūdens automātiski tiek novadīts uz karstās gāzes iztvaicēšanas pamatni vai elektriski uzkarsētu iztvaicēšanas paliktni. Atkausēšanas laikā vitrīnas temperatūra par dažiem grādiem paaugstinās.

### 5. Tīrīšana

Turpmāk aprakstītā tīrīšanas procedūra jāveic vismaz divas reizes gadā.

**Piezīme** Vitrīnu nedrīkst tīrīt laikā, kad darbojas ventilatori. Lai atspējotu ventilatorus, atvienojiet vitrīnu no strāvas padeves.

**UZMANĪBU** Iztvaicētājiem, kondensatoriem un no nerūsējoša tērauda veidotām detaļām, iespējams, ir asas malas. Lai izvairītos no grieztām brūcēm, velciet aizsargcimdus un strādājiet piesardzīgi.



1. Atvienojiet vitrīnu no strāvas padeves vai pagrieziet atsevišķo slēdzi tīrīšanas pozīcijā.
2. Iztukšojiet vitrīnu.
3. Ļaujiet vitrīnai sasniegt apkārtējās vides temperatūru.
4. Iztīriet gružus.

Neizmantojiet irbuļus vai asus priekšmetus, lai izņemtu no iztvaicētāja ledu. Serpentīncaurules bojājumi var izraisīt aukstumnesēja noplūdes.

5. Pārbaudiet, vai vitrīnā nav uzkrājies novadītais ūdens; ja ir, izlejiet to.
6. Ar maigu šķidro mazgāšanas līdzekli (kas nav toksisks; pH 6–8) notīriet vitrīnas iekšējās virsmas un rūpīgi nosusiniet ar tīru dvieli.

## 7. Kad tīrīšana pabeigta, ieslēdziet vitrīnu.

Skatiet sadaļu *Ieslēgšana*.

Regulāri pārbaudiet, vai:

- vitrīnas darbības troksnis ir normāls;
- iztvaicētājs ir tīrs;
- ieplūdes un izplūdes restes nav nosprostotas vai netīras.

### Piezīme



Notīriet novadītā ūdens paliktņi, kas atrodas aparatūras nodalījumā. Nepiemērota vai nepietiekami bieža tīrīšana var saīsināt elektriskā sildītāja/novadītā ūdens paliktņa karstās gāzes cauruļu darbmūžu. No teknes nekavējoties jānotīra mazgāšanas līdzekļa nogulsnes.

### Piezīme



Aukstumnesēja noplūdes gadījumā jāveic visu vitrīnā izlikto produktu utilizācija un pēc tam vitrīna jāiztīra.

## 5.1. Kondensatora tīrīšana

Reizi mēnesī vai biežāk (ja nepieciešams) pārbaudiet, vai kondensators ir tīrs.

Ja nepieciešams, veiciet šādas darbības:

1. Iztīriet kondensatora plāksnes ar putekļsūcēju un pārbaudiet, vai starp plāksnēm nav šķēršļu.
2. Pavelciet paneļa virsējo malu uz āru un pagrieziet paneli uz leju, kā norādīts pievienotajā zīmējumā.

Ja regulatora ierīce norāda, ka kondensatorā ir augsts spiediens, pārbaudiet kondensatoru un, ja nepieciešams, iztīriet to. Ja vitrīna pēc šīm darbībām vēl joprojām nedarbojas pareizi, sazinieties ar tehniskās apkopes nodrošinātāju.

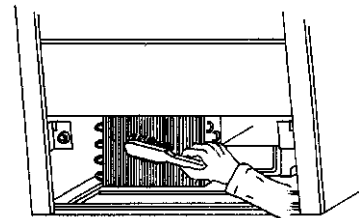


### Piezīme

Ja vitrīna ir atvienota no strāvas padeves, paliktņa sildītājs vai sūknis nedarbojas un nolietais ūdens vai tīrīšanas šķidrums var piepildīt iztvaicēšanas paliktņi.

### Piezīme

Kondensatora iekārta atrodas vitrīnas apakšdaļā.



## 6. Elektrosadales pārtraukumi

Pēc strāvas padeves pārtraukuma vai traucējumiem vitrīna automātiski sāk darboties. Iztvaicēšanas paliktņi strāvas padeves pārtraukuma gadījumā var pārplūst. Pēc strāvas padeves pārtraukuma pārbaudiet, vai vitrīna darbojas normāli. Ja nepieciešams, sazinieties ar tuvāko tehniskās apkopes nodrošinātāju.

## 7. Problēmu risināšana

Ja vitrīna vai vitrīnas aprīkojums ir bojāti vai vitrīna nedarbojas pareizi, pārliedzieties, vai tādējādi netiek radīti draudi cilvēkiem un īpašumam. Ja nepieciešams, atvienojiet vitrīnu un sazinieties ar tuvāko tehniskās apkopes nodrošinātāju.

Pirms zvanāt tehniskās apkopes nodrošinātājam, pārbaudiet, vai:

- vitrīnas vads nav atvienojies no strāvas padeves kontaktligzdas un strāvas padeve darbojas;
- vitrīnas drošinātājs nav bojāts;
- vitrīna novietota pareizi;
- kondensators nav nosprostots vai netīrs;
- produkti vitrīnā ievietoti pareizi;
- gaisa plūsma vitrīnā nav traucēta;
- nenotiek atkausēšana, skatiet termometru.

Ja nepareizas darbības iemeslu nevar konstatēt, atvienojiet vitrīnas strāvas padevi un sazinieties ar tehniskās apkopes nodrošinātāju.

Regulāri pārbaudiet, vai nav mainījies vitrīnas darbības troksnis, vai kondensators un iztvaicētājs ir tīrs un vai gaisa plūsmu caur ieplūdes un izplūdes restēm neaizšķērso gruži, iepakojuma pārpalikumi vai tamlīdzīgi materiāli.

## 8. Tehniskā apkope un rezerves daļas

Vitrīnas specifikācijas ir norādītas tehnisko pamatdatu plāksnē, skatiet *iekšējo vāku*. Informējiet pilnvaroto tehniskās apkopes nodrošinātāju par tehnisko datu plāksnītē norādīto vitrīnas veidu, nosaukumu, sērijas numuru un kontroles atzīmēm. Slēgumu shēma un tehnisko specifikāciju saraksts (FAKTA), kurā ietverts arī komponentu saraksts, atrodas plastmasas kabatā vitrīnas aparatūras nodalījumā. Vitrīnas tehniskās apkopes periodi norādīti tehniskās apkopes līgumā.

### Piezīme



Vitrīnas aparatūras un elektroaprīkojuma tehnisko apkopi un remontu drīkst veikt tikai atbilstoši pilnvaroti darbinieki. Iztvaicētāju drīkst tīrīt tikai pilnvaroti tehniskās apkopes darbinieki.

Ieteicams izmantot Viessmann Refrigeration Systems Oy rezerves daļas.

## 9. Iekārtas utilizēšana

Kalpošanas mūža beigās vitrīnas utilizācija jāveic saskaņā ar vietējiem noteikumiem un norādījumiem. Utilizējot videi kaitīgas vielas un pārstrādājamus materiālus, konsultējieties ar speciālistiem.

### UZMANĪBU



R290 ir viegli uzliesmojoša viela, tas attiecas uz vitrīnām, kurās kā aukstumnesējs ir izmantots propāns R290.



Austria  
Viessmann K hlsysteme Austria GmbH  
Telephone +43 72 35 66367-0  
office\_vk\_at@viessmann.com  
www.viessmann.at

Denmark  
Viessmann Refrigeration Systems ApS  
Telephone +45 4120 5420  
info.dk@viessmann.com  
www.viessmann.dk

Estonia  
Viessmann K lmas steemid O   
Telephone +372 675 5150  
info.ee@viessmann.com  
www.viessmann.ee

Finland  
Viessmann Refrigeration Systems Oy  
Telephone +358 19 537 8000  
info.fi@viessmann.com  
www.viessmann.com

Viessmann Kylm j rjestelm t Oy  
Telephone +358 19 537 8000  
info.fi@viessmann.com  
www.viessmann.fi

France  
Viessmann Technique du Froid S. .r.l.  
Telephone +33 3 87 13 08 13  
france@viessmann-refrigeration.com  
www.viessmann.fr

Germany  
Viessmann K hlsysteme GmbH, Hof  
Telephone +49 9281 814-0

Viessmann K hlsysteme GmbH, Mainz  
Telephone +49 61315 7046-17  
kuehlsysteme@viessmann.de  
www.viessmann.de

Ireland  
Viessmann Refrigeration Systems Limited  
Telephone +353 1 617 7930  
sales@viessmann-coldtech.ie  
www.viessmann-coldtech.ie

Latvia  
Viessmann Refrigeration Systems Latvia  
filial   
Telephone +371 6782 8449  
info.lv@viessmann.com  
www.viessmann.com

Norway  
Viessmann Refrigeration Systems AS  
Telephone +47 3336 3500  
post@viessmann.no  
www.viessmann.no

Poland  
Viessmann Systemy Chlodnicze Sp. z o.o.  
Telephone +48 22 882 0020  
info.pl@viessmann.com  
www.viessmann.pl

Russia  
Viessmann Group – Refrigeration Systems  
Moscow, St. Petersburg  
Telephone +7 499 277 1260  
www.viessmann.ru

Sweden  
Viessmann Refrigeration Systems AB  
Telephone +46 8 5941 1200  
info.refrigeration@viessmann.se  
www.viessmann.se

Switzerland  
Viessmann (Schweiz) AG  
Telephone +41 56 418 67 11  
info@viessmann.ch  
www.viessmann.ch

United Arab Emirates  
Viessmann Middle East FZE  
Telephone +971 43724247  
refrigeration@viessmann.ae  
www.viessmann.ae

United Kingdom  
Viessmann Refrigeration Systems Limited  
Telephone +44 1952 457157  
sales@viessmann-coldtech.co.uk  
www.viessmann.co.uk